

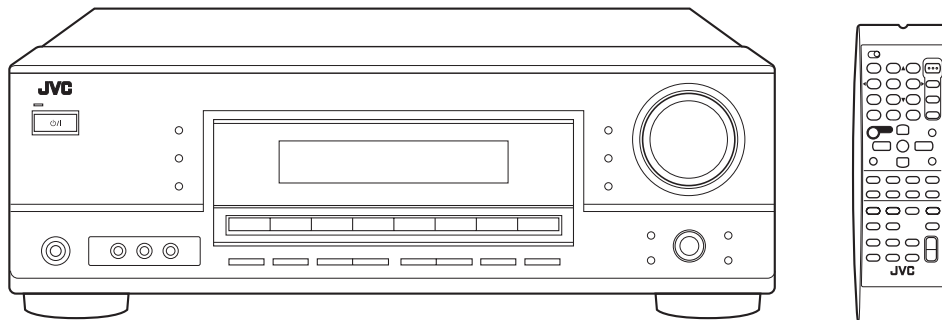
# JVC

## SCHEMATIC DIAGRAMS

AUDIO/VIDEO CONTROL RECEIVER

**RX-5060BJ, RX-5060BC, RX-5060BE**  
**RX-5062SB, RX-5062SE, RX-5062SEN**  
**RX-5062SEV**

CD-ROM No.SML200602



*Radio Data System*

Lead free solder used in the board (material : Sn-Ag-Cu, melting point : 219 Centigrade)

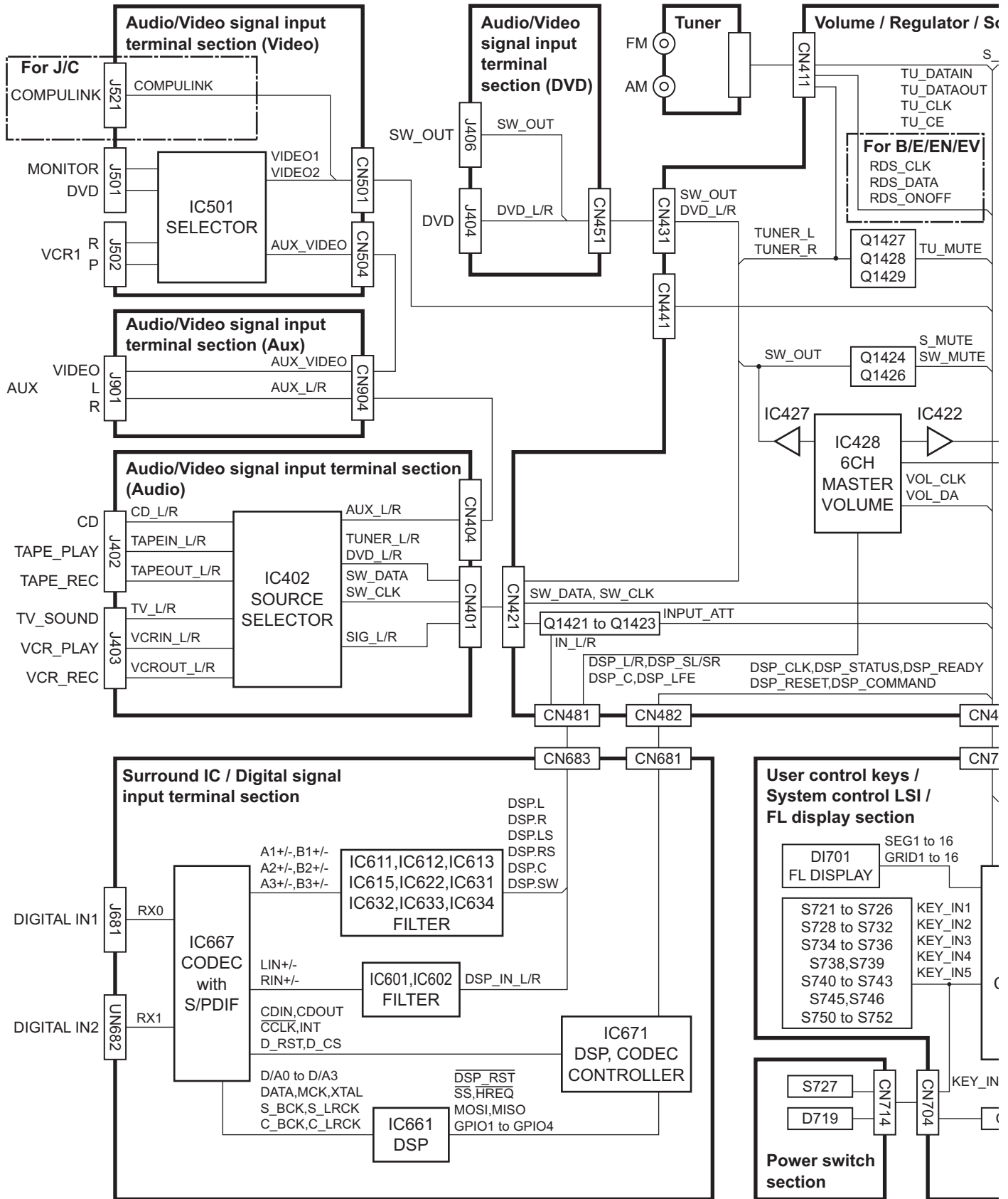
### Contents

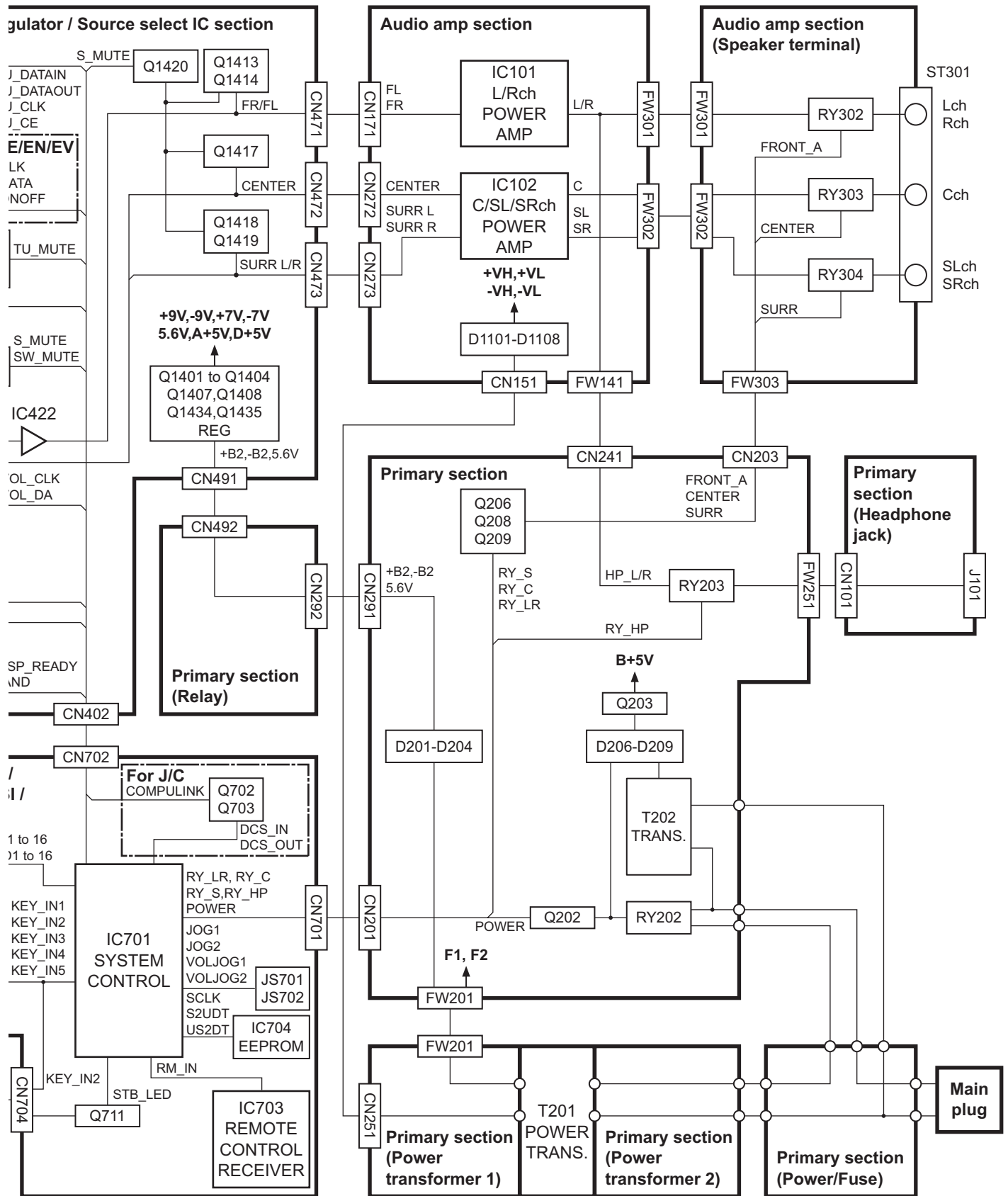
Block diagrams .....	2-1
Standard schematic diagrams .....	2-3
Printed circuit boards .....	2-15 to 21

In regard with component parts appearing on the silk-screen printed side (parts side) of the PWB diagrams, the parts that are printed over with black such as the resistor (■), diode (▣) and ICP (●) or identified by the "⚠" mark nearby are critical for safety.

< MEMO >

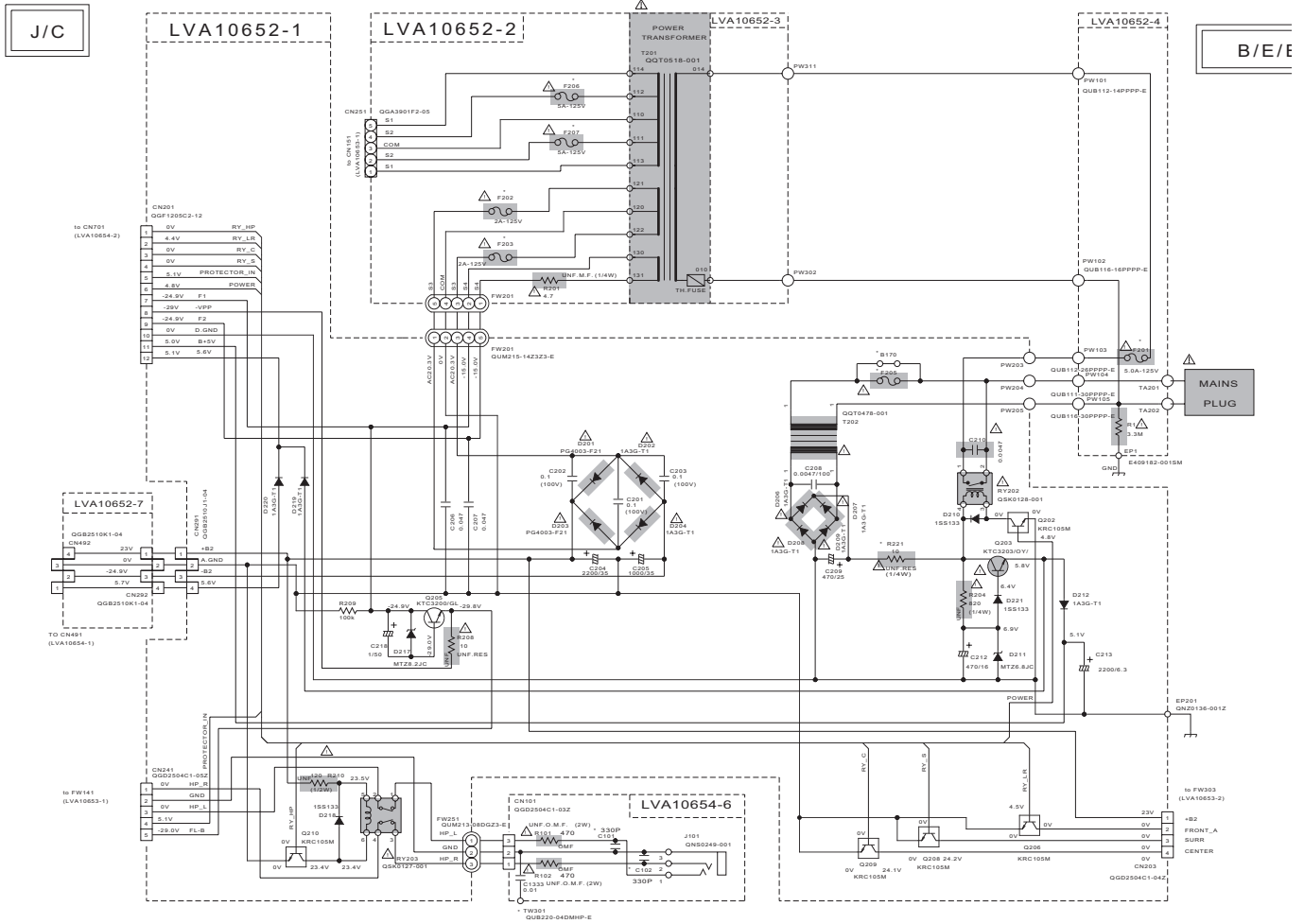
# Block diagram





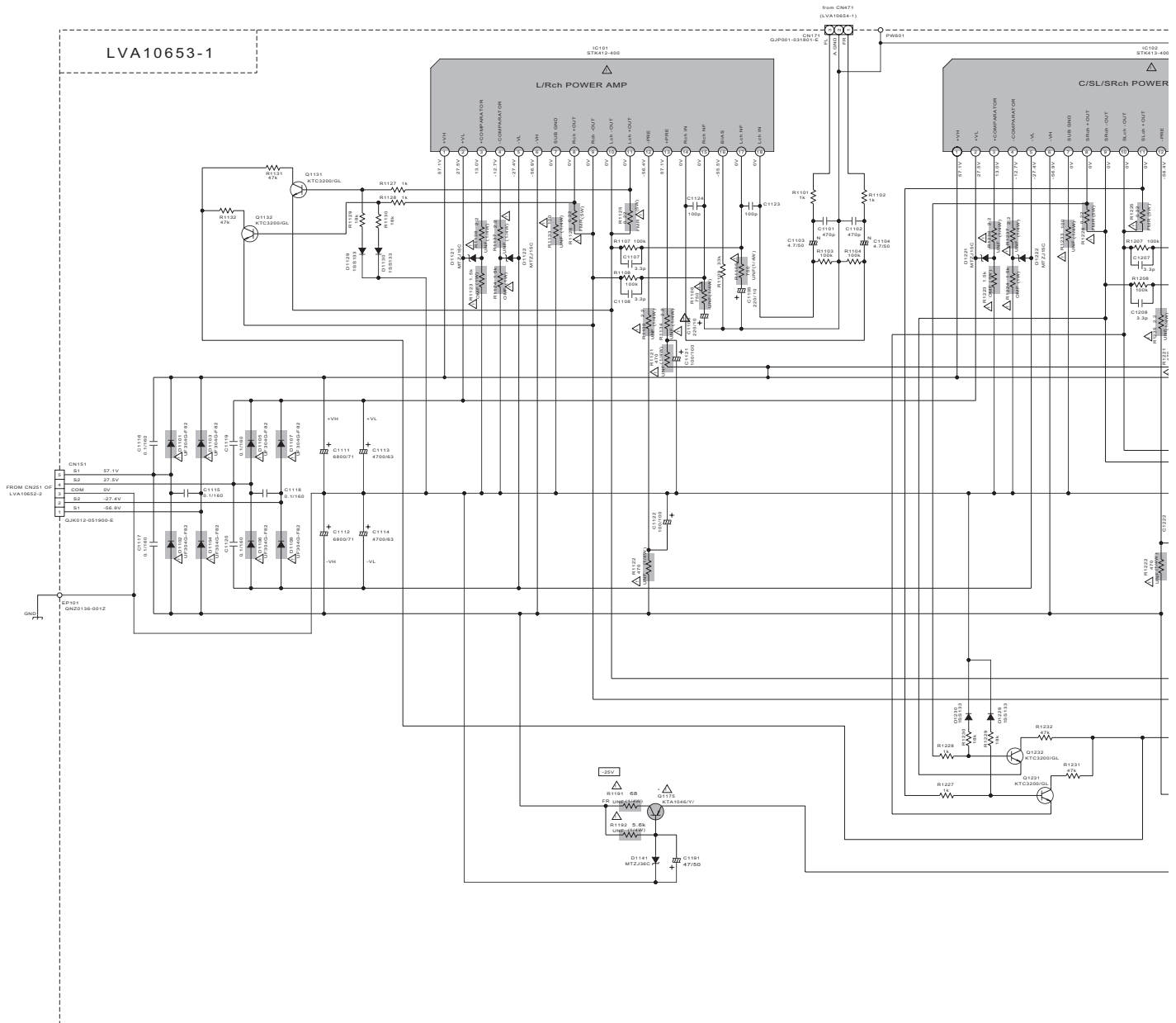
# Standard schematic diagrams

## Primary section






# Audio amp section



\* MARK LIST

	J/C	B/E/EN/EV	UT/US/UP/UN
B1005	USE	NONE	NONE
B1006	USE	NONE	NONE
B1007	USE	NONE	NONE
B1008	USE	NONE	NONE
B1009	USE	NONE	NONE
L1351	NONE	USE	USE
L1352	NONE	USE	USE
L1353	NONE	USE	USE
L1354	NONE	USE	USE
L1355	NONE	USE	USE
R1370, R1371	NONE	USE	USE
C1361, C1362	NONE	USE	USE
C1363, C1364	NONE	USE	USE
C1369, C1377	NONE	USE	USE
C1360, C1378	NONE	USE	USE
R1373, R1374	NONE	USE	USE
C1369, C1370	NONE	USE	USE
C1373, C1374	NONE	USE	USE
C1372, C1375	NONE	USE	USE
C1371, C1376	NONE	USE	USE
R1372	NONE	USE	USE
C1365	NONE	USE	USE
C1366	NONE	USE	USE
C1367	NONE	NONE	NONE
C1368	NONE	USE	USE

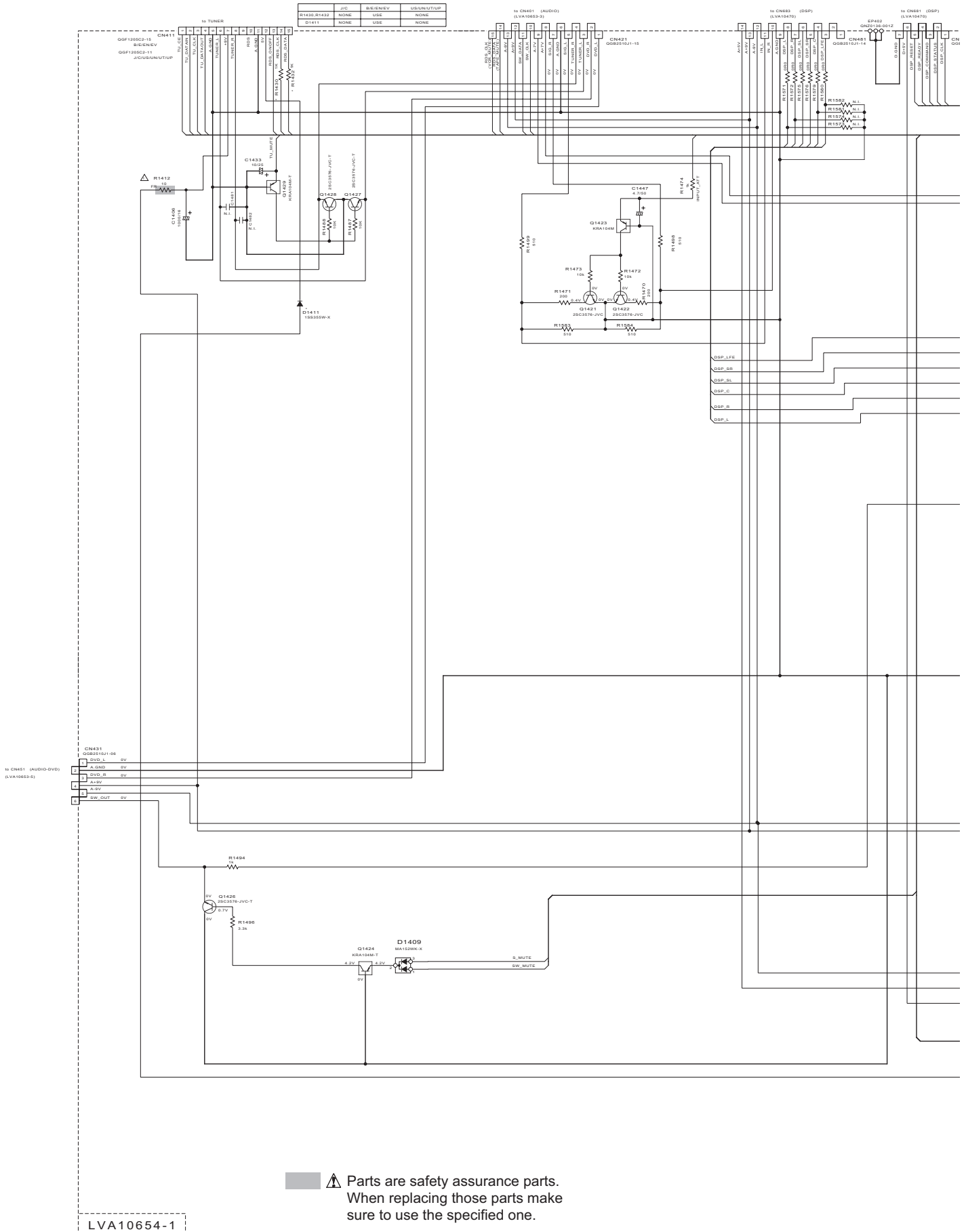
	J/C	R/E/EN/EV	UP	US/UN/UT
C1268	NONE	USE	USE	NONE

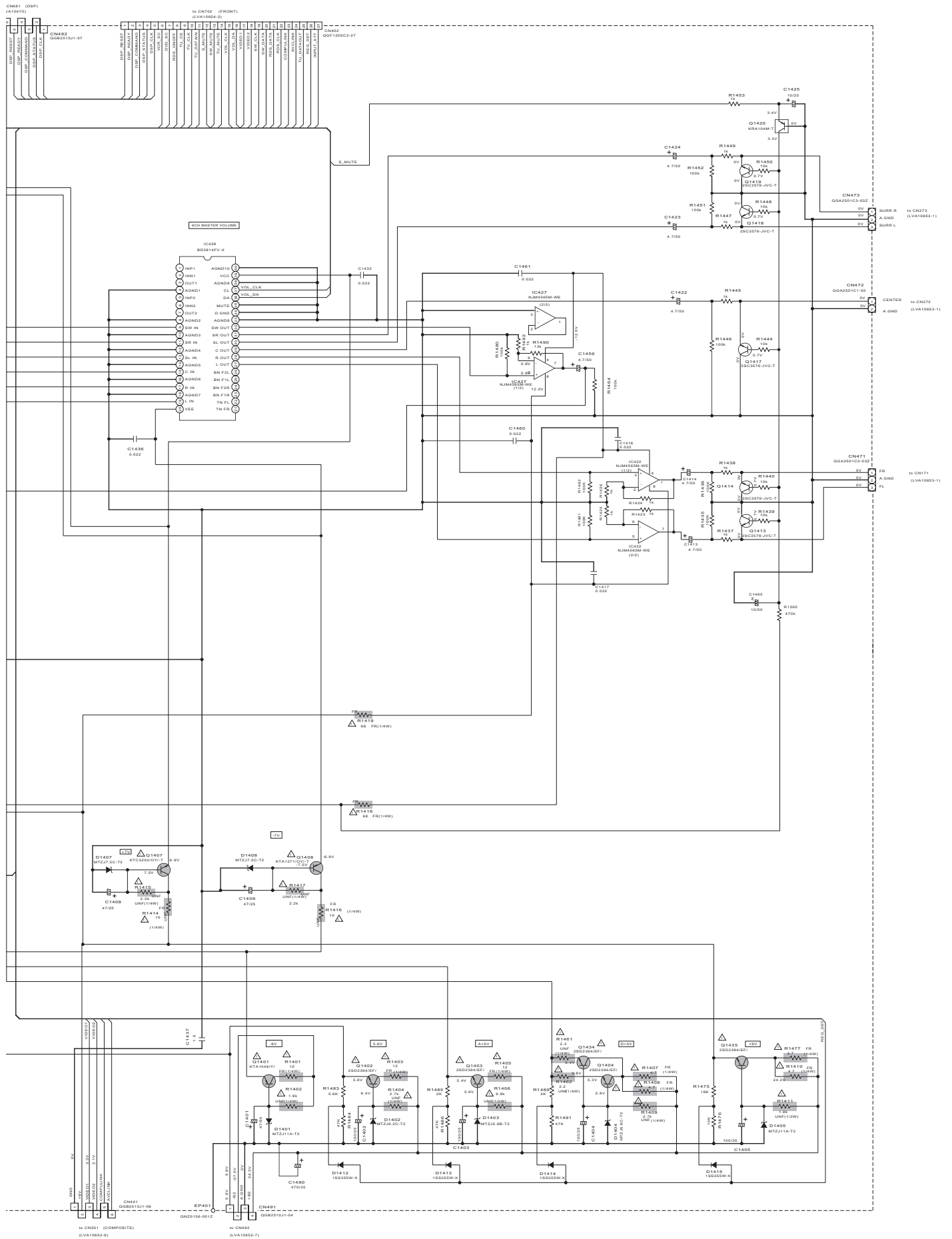
 Parts are safety assurance parts. When replacing those parts make sure to use the specified one.





# Volume / Regulator / Source selector section

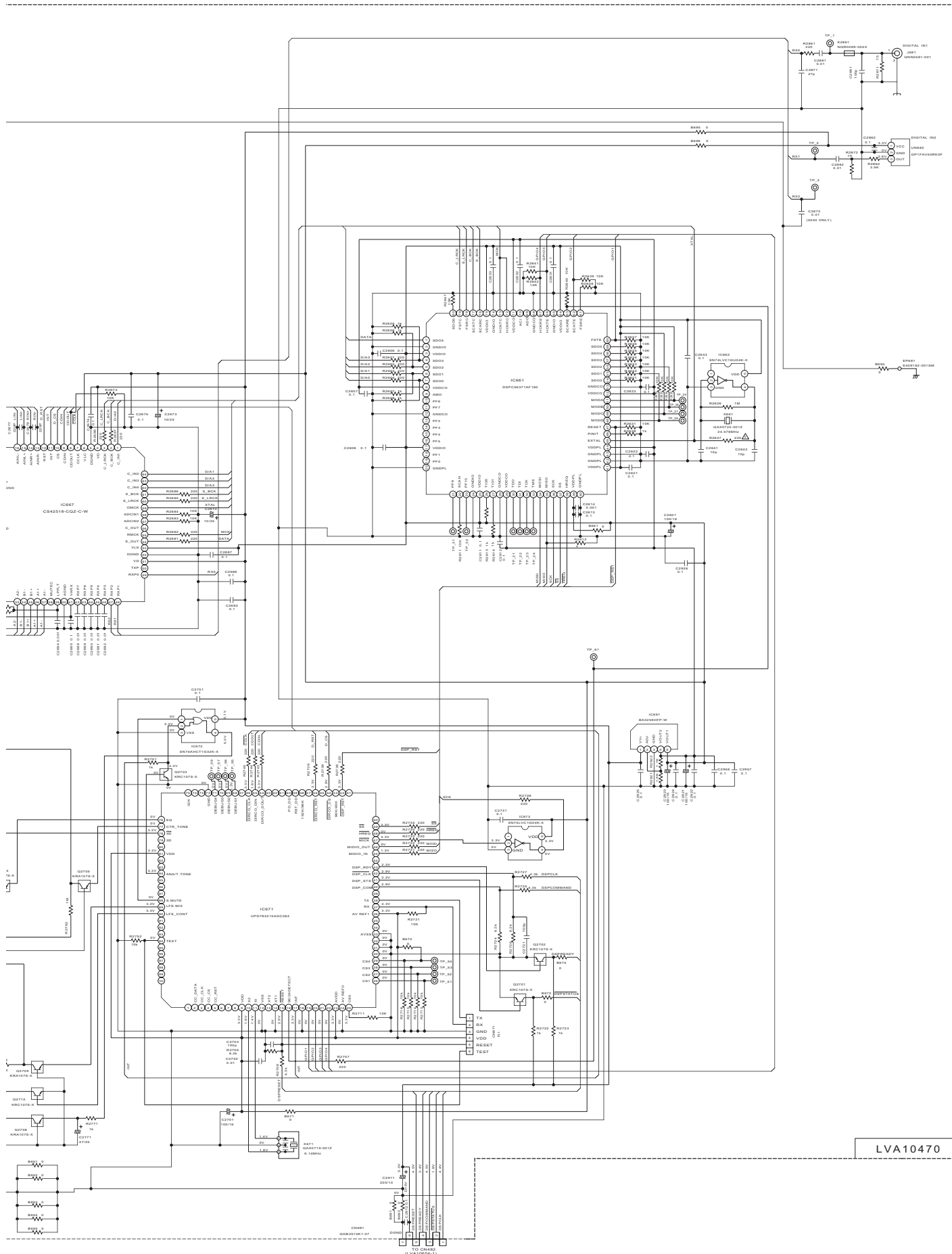




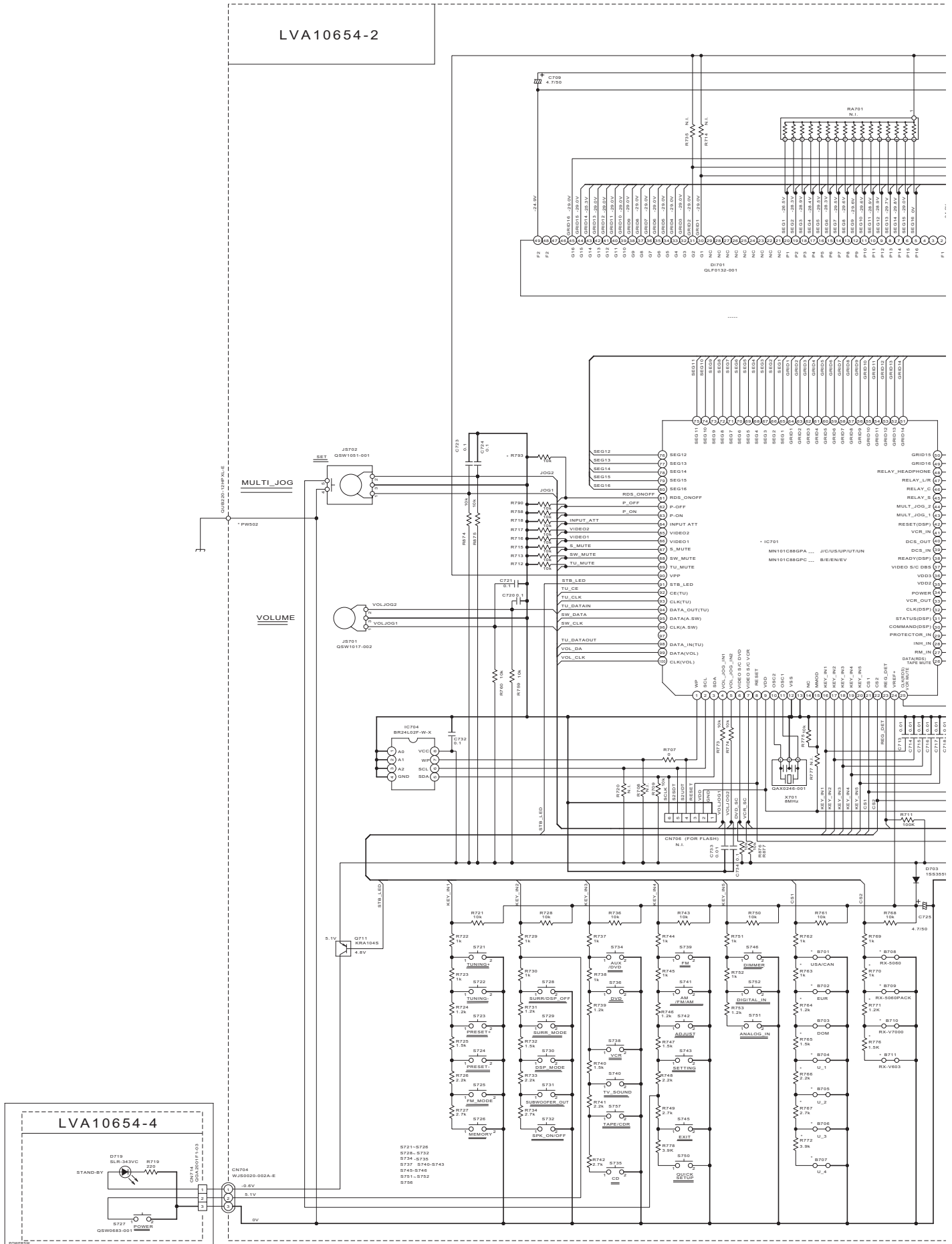








# ■ User control key / System control LSI / FL display section





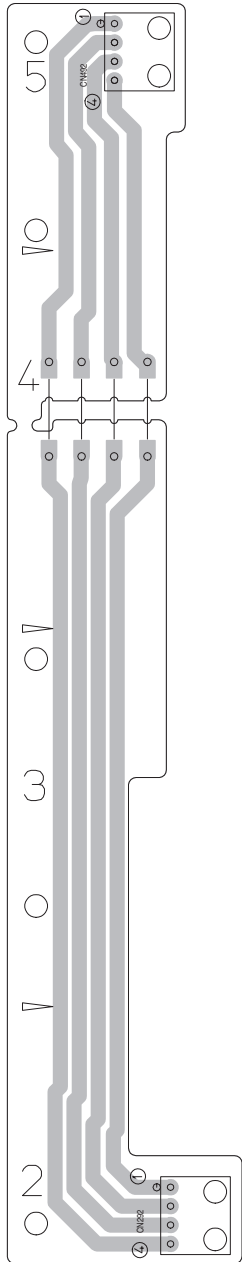


# Printed circuit boards

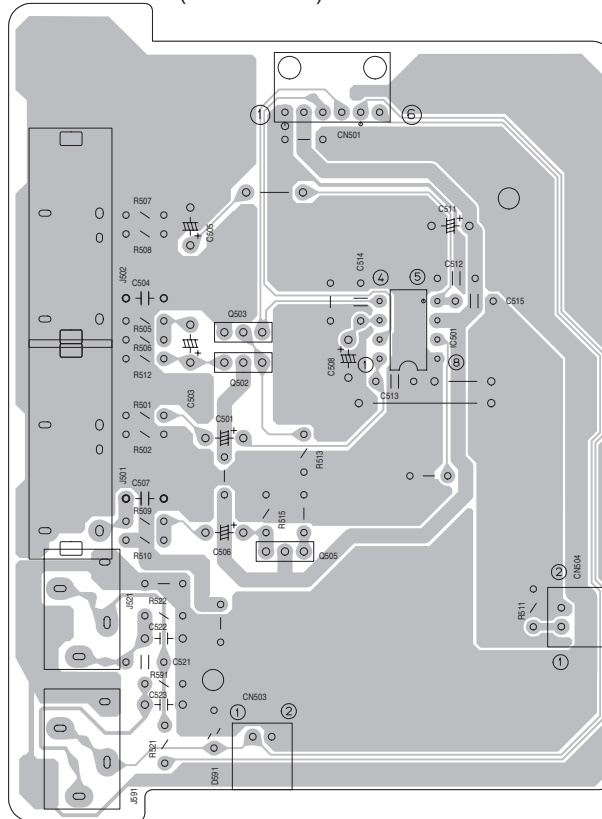
## ■ Power supply board

Lead free solder used in the board (material : Sn-Ag-Cu, melting point : 219 Centigrade)

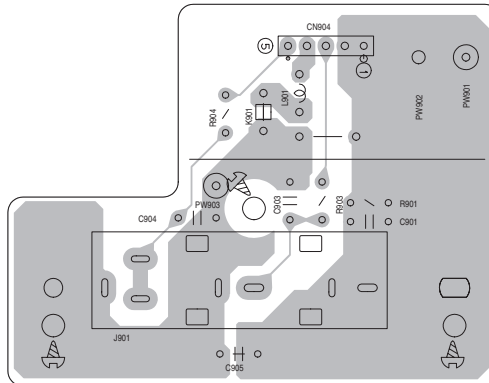
(Relay board)



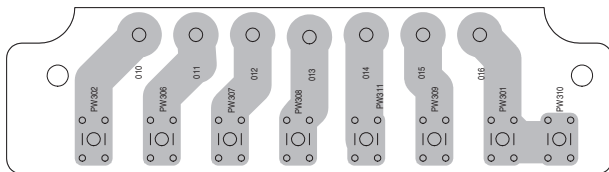
(Video board)



(Front jack board)



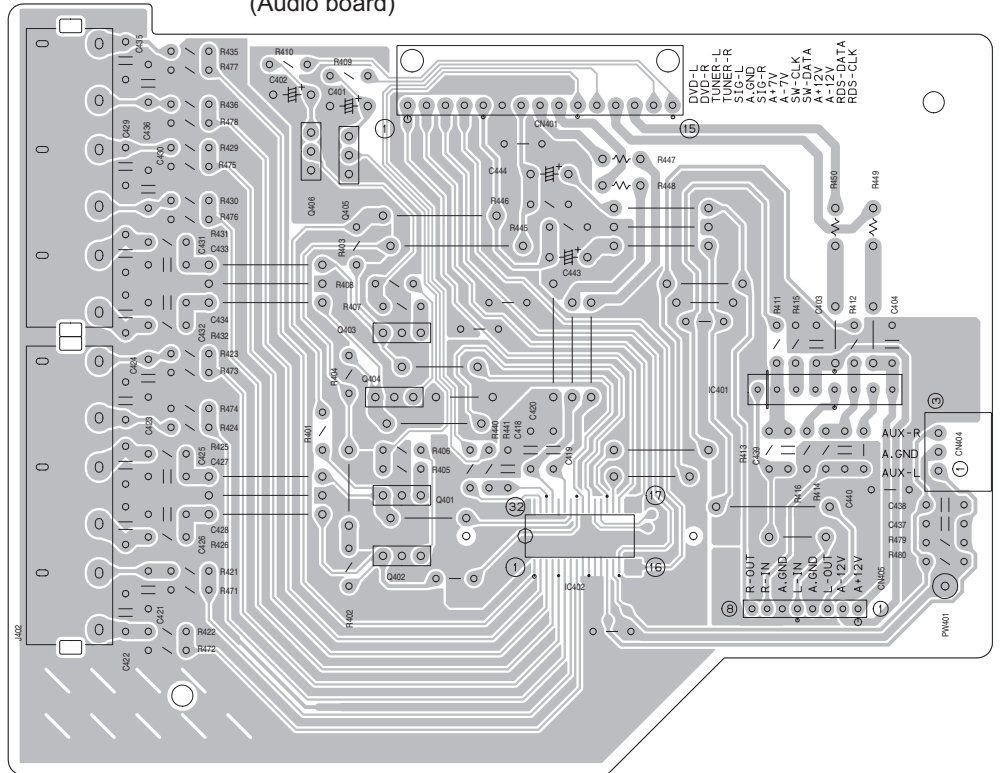
(Power transformer board 2)



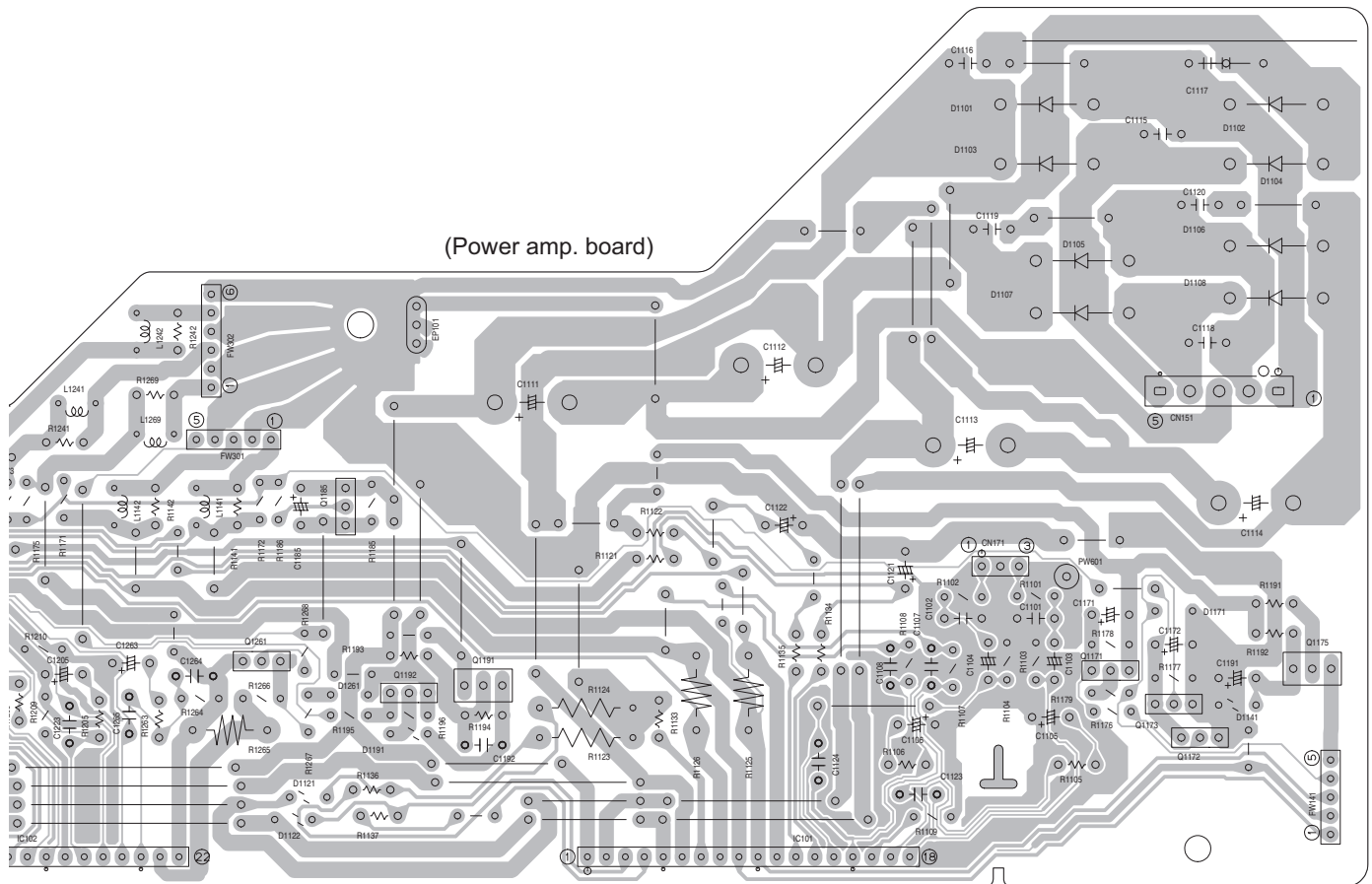




(Audio board)



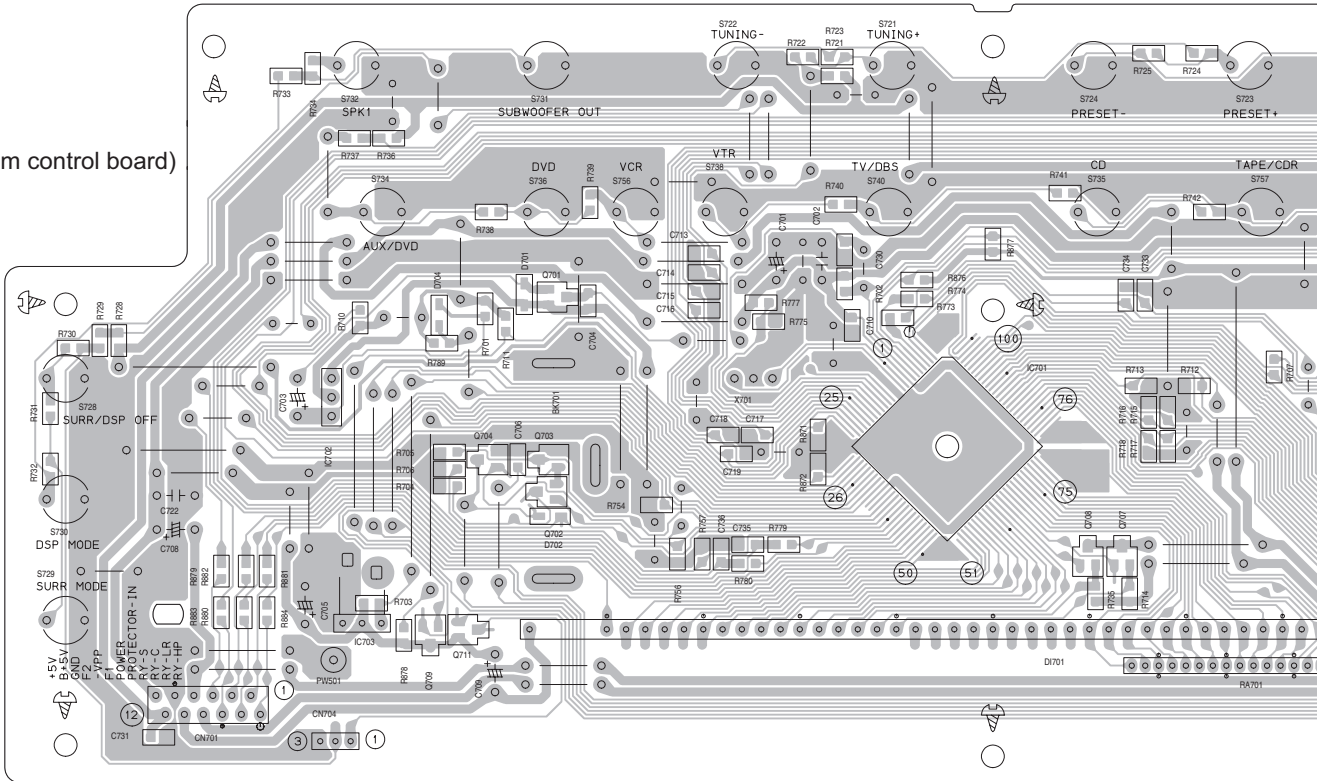
(Power amp. board)



## ■ Front board

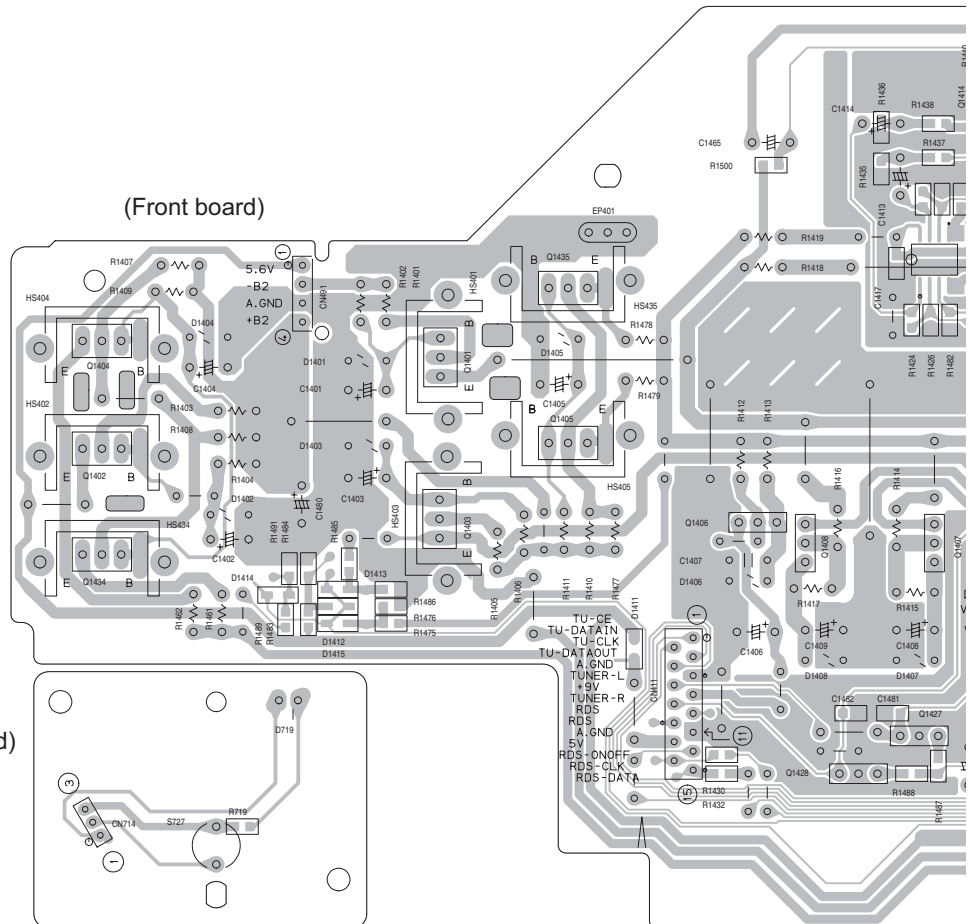
Lead free solder used in the board (material : Sn-Ag-Cu, melting point : 219 Centigrade)

(System control board)

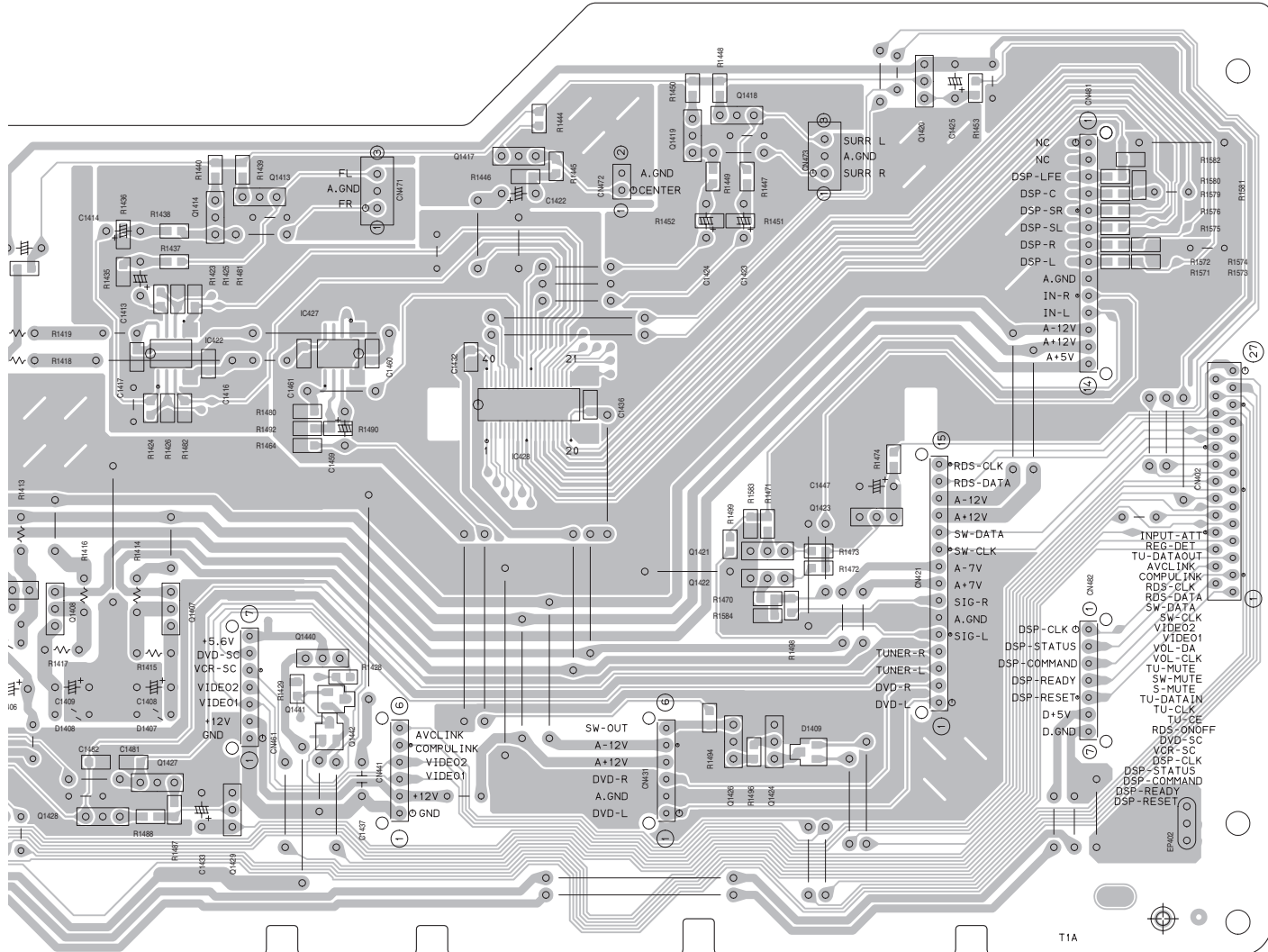
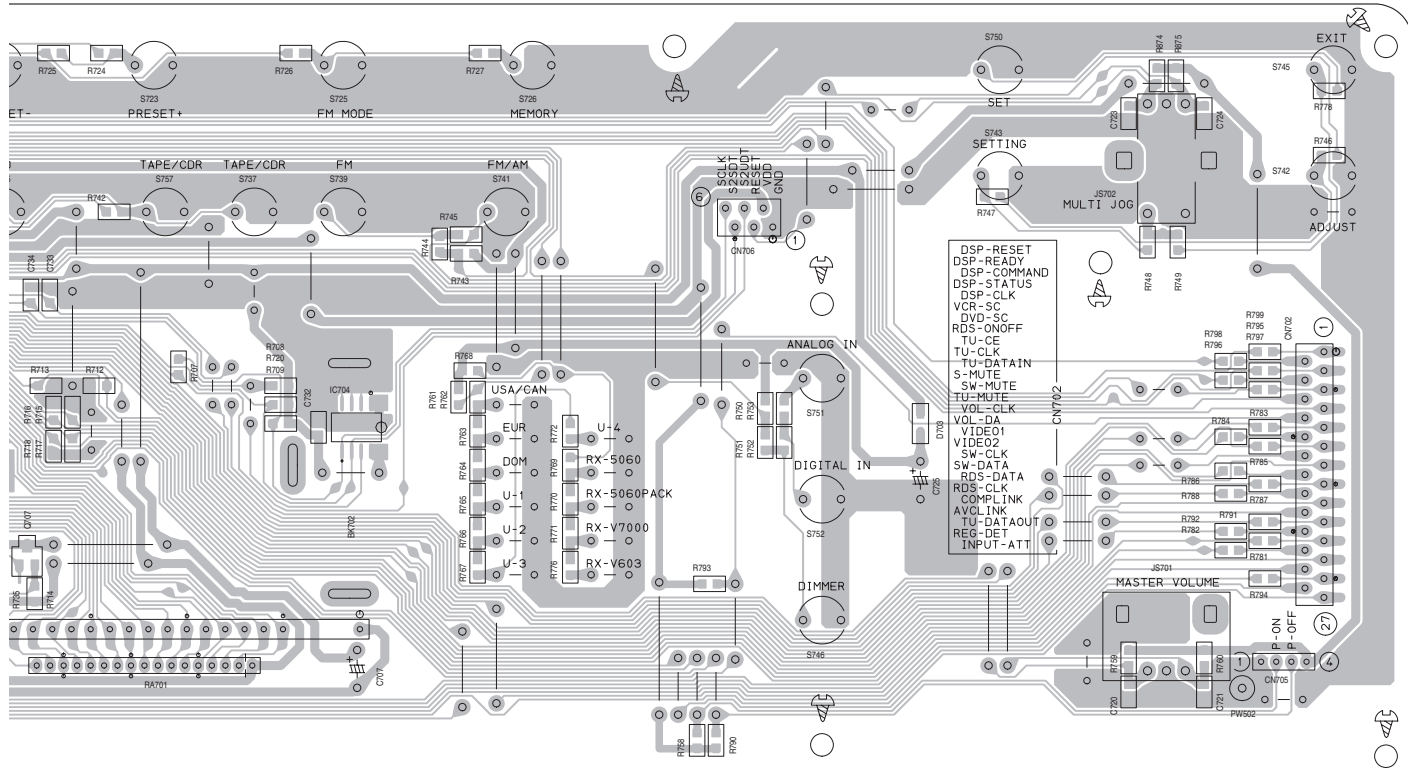


(Front board)

(Power switch board)











< MEMO >

**JVC**

Victor Company of Japan, Limited

Audio/Video Systems Category 10-1,1chome,Ohwatari-machi,Maebashi-city,371-8543,Japan

(No.MB504SCH)



Printed in Japan  
VPT

# PARTS LIST

RX-5060BJ,RX-5060BC,RX-5060BE  
RX-5062SB,RX-5062SE,RX-5062SEN,RX-5062SEV

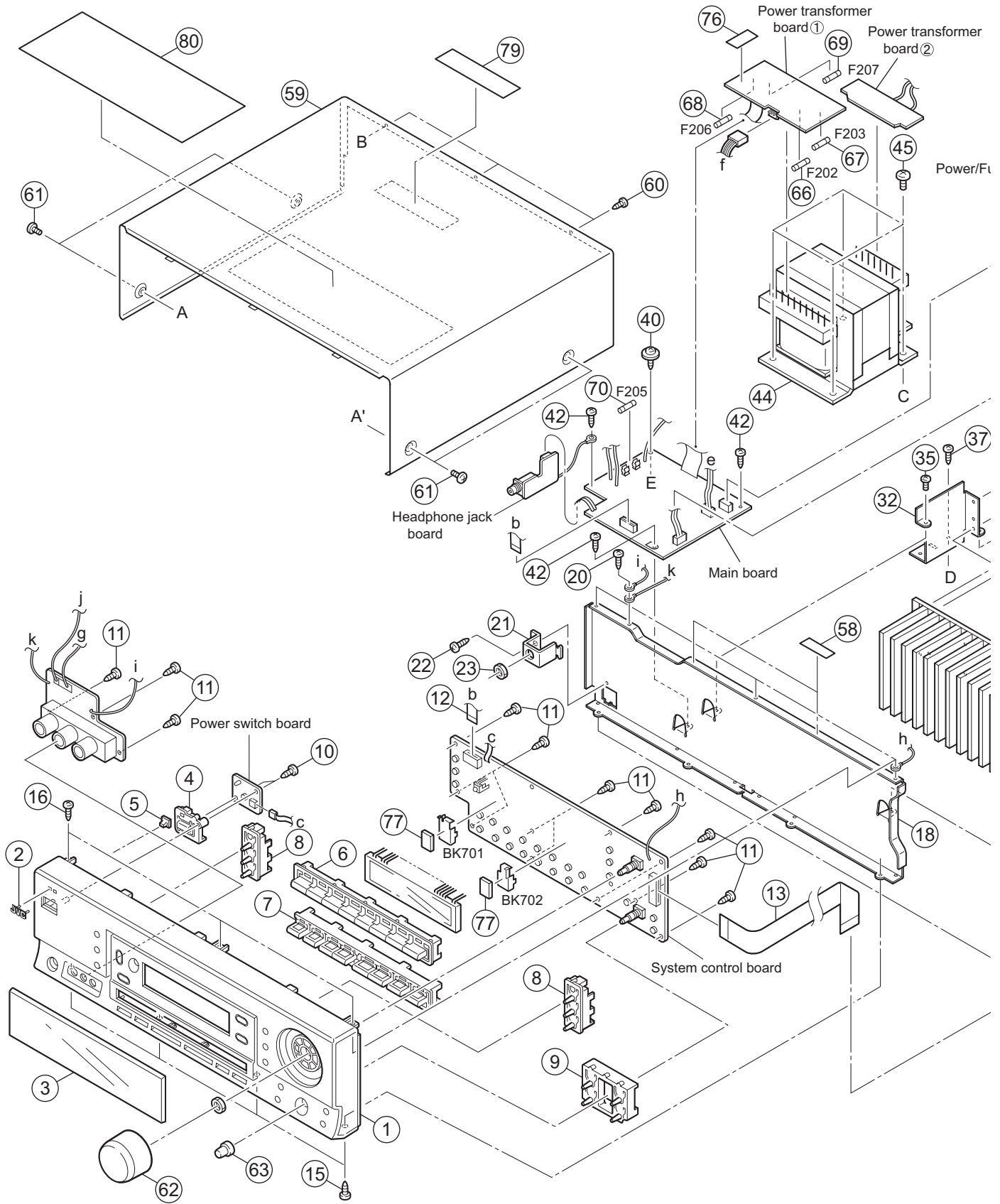
\* All printed circuit boards and its assemblies are not available as service parts.

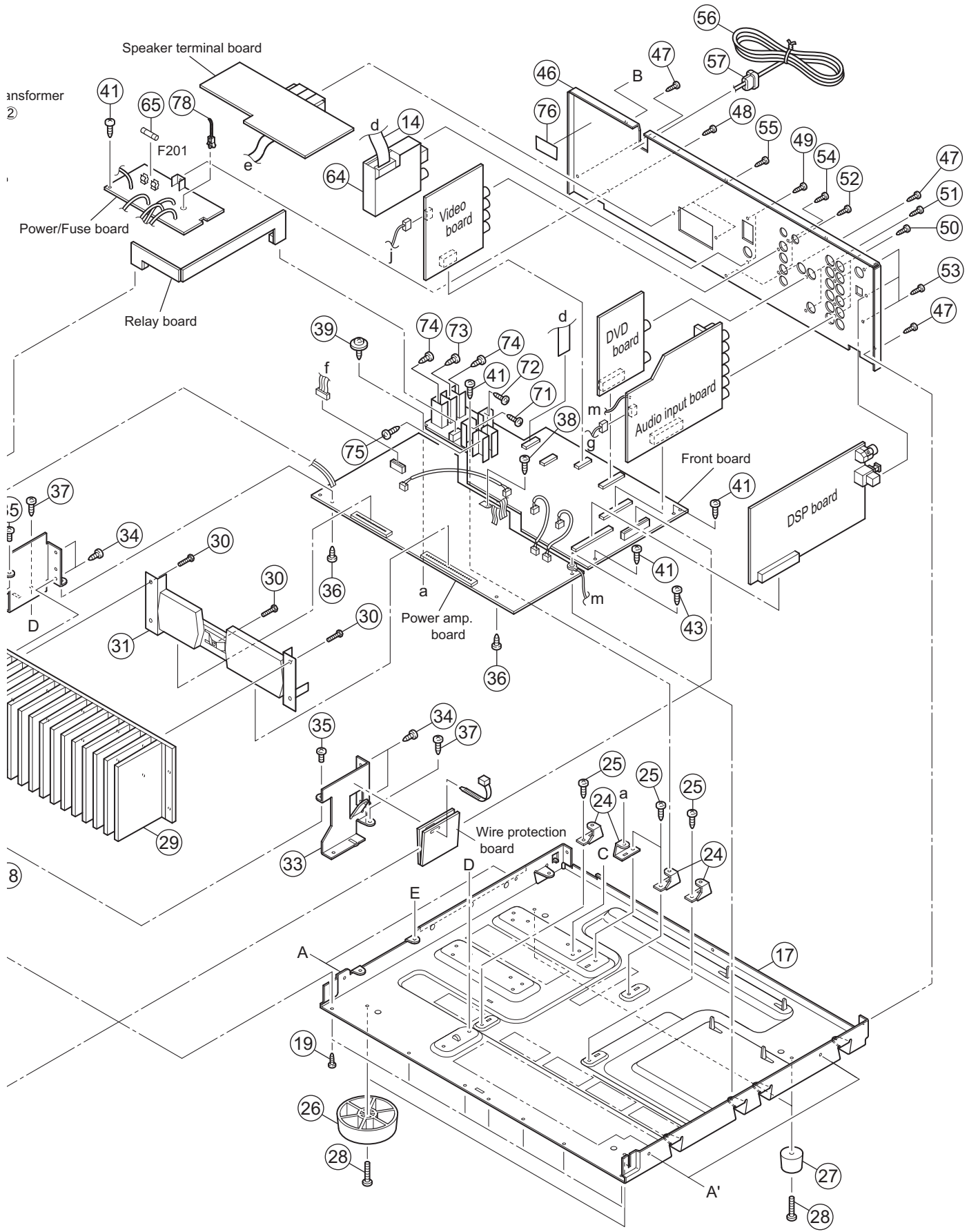
- Contents -

Exploded view of general assembly and parts list (Block No.M1) .....	3-2
Electrical parts list (Block No.01~04).....	3-6
Packing materials and accessories parts list (Block No.M3) .....	3-16

# Exploded view of general assembly and parts list

Block No. M 1 M M





# General Assembly

Block No. [M][1][M][M]

△	Symbol No.	Part No.	Part Name	Description	Local
	1	LV10756-033A	FRONT PANEL		5060BJ,5060BC
	1	LV10756-034A	FRONT PANEL		5060BE
	1	LV10756-036A	FRONT PANEL		5062SE,5062SB,5062SEN,5062SEV
	2	LV43338-002A	JVC MARK		
	3	LV34003-001A	LENS		
	4	LV34000-003A	PUSH BUTTON(POW)		5060BJ,5060BC,5060BE
	4	LV34000-004A	PUSH BUTTON(POW)		5062SE,5062SB,5062SEN,5062SEV
	5	LV42096-001A	INDICATOR		
	6	LV21420-003A	PUSH BUTTON		5060BJ,5060BC,5060BE
	6	LV21420-004A	PUSH BUTTON		5062SE,5062SB,5062SEN,5062SEV
	7	LV21421-001A	PUSH BUTTON(FM)		5060BJ,5060BC,5060BE
	7	LV21421-002A	PUSH BUTTON(FM)		5062SE,5062SB,5062SEN,5062SEV
	8	LV34001-001A	3-BUTTON	(x2)	5060BJ,5060BC,5060BE
	8	LV34001-002A	3-BUTTON	(x2)	5062SE,5062SB,5062SEN,5062SEV
	9	LV34002-001A	4-BUTTON		5060BJ,5060BC,5060BE
	9	LV34002-002A	4-BUTTON		5062SE,5062SB,5062SEN,5062SEV
	10	QYSBSF2608ZA	TAP SCREW	M2.6 x 8mm(x2)	
	11	QYSBSF2608ZA	TAP SCREW	M2.6 x 8mm(x12)	
	12	QUQQ12-1215CJ-E	FFC WIRE	12pin 15cm	
	13	QUQQ12-2730CJ-E	FFC WIRE	27pin 30cm	
	14	QUQQ12-1110CJ-E	FFC WIRE	11pin 10cm	5060BJ,5060BC
	14	QUQQ12-1510CJ-E	FFC WIRE	15pin 10cm	5060BE,5062SE,5062SB,5062SEN, 5062SEV
	15	QYSDSG3008ZA	TAP SCREW	M3 x 8mm(x4)	
	16	QYSBSG3008ZA	TAP SCREW	M3 x 8mm(x3)	
	17	LV10873-002A	CHASSIS BASE		
	18	LV10458-004A	FRONT BRACKET		
	19	QYSDSG3008ZA	TAP SCREW	M3 x 8mm(x7)	
	20	QYSDSG3008ZA	TAP SCREW	M3 x 8mm	
	21	LV43304-001A	BKT(PHONES)		
	22	QYSBSG3008ZA	TAP SCREW	M3 x 8mm	
	23	VKZ4150-001	SPECIAL NUT		
	24	E68587-223SM	CB BKT	(x4)	
	25	QYSBST3006ZA	TAP SCREW	M3 x 6mm(x4)	
	26	QZF6018-001	FOOT	60mm x 18mm(x2)	5060BJ,5060BC,5060BE
	26	QZF6018-003	FOOT	60mm x 18mm(x2)	5062SE,5062SB,5062SEN,5062SEV
	27	E47227-036	FOOT	(x2)	
	28	QYSBST3010ZA	TAP SCREW	M3 x 10mm(x4)	
	29	LV20916-003A	HEAT SINK		
	30	QYSBSG3012ZA	TAP SCREW	M3 x 12mm(x3)	
	31	LV34704-001A	PACK BRACKET		
	32	LV34705-001A	H.S BRACKET(L)		
	33	LV34706-001A	H.S BRACKET(R)		
	34	QYSBSG3008ZA	TAP SCREW	M3 x 8mm(x4)	
	35	QYSBST3006ZA	TAP SCREW	M3 x 6mm(x2)	
	36	QYSBSG3008ZA	TAP SCREW	M3 x 8mm(x2)	
	37	QYSBST3006ZA	TAP SCREW	M3 x 6mm(x2)	
	38	QYSBSG3008ZA	TAP SCREW	M3 x 8mm	
	39	E65923-009	TAPPING SCREW		
	40	E65923-009	TAPPING SCREW		
	41	QYSBSG3008ZA	TAP SCREW	M3 x 8mm(x4)	
	42	QYSBSG3008ZA	TAP SCREW	M3 x 8mm(x3)	
	43	QYSBSG3008ZA	TAP SCREW	M3 x 8mm	
△	44	QQT0518-001	POWER TRANSF		5060BJ,5060BC
△	44	QQT0518-002	POWER TRANSF		5060BE,5062SE,5062SB,5062SEN, 5062SEV
	45	QYSDSTL4008ZA	TAP SCREW	M4 x 8mm(x4)	
	46	LV20915-0B5A	REAR PANEL		5060BJ,5060BC
	46	LV20915-0B6A	REAR PANEL		5060BE
	46	LV20915-0B7A	REAR PANEL		5062SE,5062SB,5062SEN
	46	LV20915-0B8A	REAR PANEL		5062SEV
	47	QYSBSGY3008EA	TAP SCREW	M3 x 8mm(x3)	
	48	QYSBSGY3008EA	TAP SCREW	M3 x 8mm	
	49	QYSBSGY3008EA	TAP SCREW	M3 x 8mm(x2)	
	50	QYSBSGY3008EA	TAP SCREW	M3 x 8mm(x4)	
	51	QYSBSGY3008EA	TAP SCREW	M3 x 8mm(x2)	
	52	QYSBSGY3008EA	TAP SCREW	M3 x 8mm(x2)	
	53	QYSBSGY3008EA	TAP SCREW	M3 x 8mm(x3)	
	54	QYSBSGY3008EA	TAP SCREW	M3 x 8mm	5060BJ,5060BC
	55	QYSBSGY3008EA	TAP SCREW	M3 x 8mm(x2)	
△	56	QMPD420-200-JV	POWER CORD(US/CA)	2m BLACK	5060BJ,5060BC
△	56	QMPK250-205-JV	POWER CORD(US/CA)	2.05m BLACK	5060BE,5062SE,5062SEN,5062SEV
△	56	QMPN100-200-JD	POWER CORD(US/CA)	2m BLACK	5062SB
△	57	QZW0033-001	STRAIN RELIEF		

△ Symbol No.	Part No.	Part Name	Description	Local
58	LV30225-0H3A	SPACER	(x2)	
59	LV21649-005A	TOP COVER		5060BJ,5060BC,5060BE
59	LV21649-006A	TOP COVER		5062SE,5062SB,5062SEN,5062SEV
60	QYSBSGY3008EA	TAP SCREW	M3 x 8mm(x3)	
61	E406308-006	SPECIAL SCREW	(x4)	5060BJ,5060BC,5060BE
61	E406308-007	SPECIAL SCREW	(x4)	5062SE,5062SB,5062SEN,5062SEV
62	LV43463-001A	VOL KNOB ASSY		5060BJ,5060BC,5060BE
62	LV43463-002A	VOL KNO ASSY		5062SE,5062SB,5062SEN,5062SEV
63	LV43458-001A	JOG KNOB ASSY		5060BJ,5060BC,5060BE
63	LV43458-002A	JOG KNOB ASSY		5062SE,5062SB,5062SEN,5062SEV
64	QAU0412-001	TUNER		5060BJ,5060BC
64	QAU0413-001	TUNER		5060BE,5062SE,5062SB,5062SEN, 5062SEV
△ 65	QMF51U1-5R0-J8	FUSE	5A AC125V	5060BJ,5060BC
△ 65	QMF51W2-1R6-J8	FUSE	1.6A AC250V	5060BE,5062SE,5062SB,5062SEN, 5062SEV
△ 66	QMF51U1-2R0-J8	FUSE	2A AC125V	5060BJ,5060BC
△ 66	QMF51W2-2R0-J8	FUSE	2A AC250V	5060BE,5062SE,5062SB,5062SEN, 5062SEV
△ 67	QMF51U1-2R0-J8	FUSE	2A AC125V	5060BJ,5060BC
△ 67	QMF51W2-2R0-J8	FUSE	2A AC250V	5060BE,5062SE,5062SB,5062SEN, 5062SEV
△ 68	QMF51U1-5R0-J8	FUSE	5A AC125V	5060BJ,5060BC
△ 68	QMF51W2-5R0-J8	FUSE	5A AC250V	5060BE,5062SE,5062SB,5062SEN, 5062SEV
△ 69	QMF51U1-5R0-J8	FUSE	5A AC125V	5060BJ,5060BC
△ 69	QMF51W2-5R0-J8	FUSE	5A AC250V	5060BE,5062SE,5062SB,5062SEN, 5062SEV
△ 70	QMF5AE2-R10-J1	FUSE	0.1A AC250V	5060BE,5062SE,5062SB,5062SEN, 5062SEV
71	QYSBSG3008EA	TAP SCREW	M3 x 8mm	
72	QYSBSG3008EA	TAP SCREW	M3 x 8mm	
73	QYSBSG3008EA	TAP SCREW	M3 x 8mm	
74	QYSBSG3008EA	TAP SCREW	M3 x 8mm(x2)	
75	QYSBSG3008EA	TAP SCREW	M3 x 8mm	
76	LV42388-001A	FUSE CAUTION	(x2)	5060BJ,5060BC
77	LV30225-0S7A	SPACER	(x2)	
78	E307572-001	FASTENER		5060BE,5062SE,5062SB,5062SEN, 5062SEV
79	E409396-003	CAUTION LABEL		
80	LV30077-004A	PROTECT SHEET		5060BE
80	LV30077-006A	PROTECT SHEET		5062SE,5062SB,5062SEN,5062SEV

# Electrical parts list

## Main board

Block No. [0][1]				
△ Symbol No.	Part No.	Part Name	Description	Local
PW903	QUB220-19DMHP-E	SIN TWIST WIRE		
IC501	NJM2246D	IC		
Q202	KRC105M-T	DIGI TRANSISTOR		
△ Q203	KTC3203/OY/-T	TRANSISTOR		
Q205	KTC3200/GL/-T	TRANSISTOR		
Q206	KRC105M-T	DIGI TRANSISTOR		
Q208	KRC105M-T	DIGI TRANSISTOR		
Q209	KRC105M-T	DIGI TRANSISTOR		
Q210	KRC105M-T	DIGI TRANSISTOR		
Q502	KTC3199/GL/-T	TRANSISTOR		
Q503	KRC101M-T	TRANSISTOR		
Q505	KTC3199/GL/-T	TRANSISTOR		
△ D201	PG4003-F21	DIODE		
△ D202	1A3G-T1	SI DIODE		
△ D203	PG4003-F21	DIODE		
△ D204	1A3G-T1	SI DIODE		
△ D206	1A3G-T1	SI DIODE		
△ D207	1A3G-T1	SI DIODE		
△ D208	1A3G-T1	SI DIODE		
△ D209	1A3G-T1	SI DIODE		
D210	1SS133-T2	DIODE		
D211	MTZJ6.8C-T2	Z DIODE I/M		
D212	1A3G-T1	SI DIODE		
D217	MTZJ8.2C-T2	Z DIODE		
D218	1SS133-T2	DIODE		
D219	1A3G-T1	SI DIODE		
D220	1A3G-T1	SI DIODE		
D221	1SS133-T2	DIODE		
C201	QFLC2AJ-104Z	M CAPACITOR	0.1uF 100V J	
C202	QFLC2AJ-104Z	M CAPACITOR	0.1uF 100V J	
C203	QFLC2AJ-104Z	M CAPACITOR	0.1uF 100V J	
C204	QETM1VM-228	E CAPACITOR	2200uF 35V M	
C205	QETM1VM-108	E CAPACITOR	1000uF 35V M	
C206	QFLC1HJ-473Z	M CAPACITOR	0.047uF 50V J	
C207	QFLC1HJ-473Z	M CAPACITOR	0.047uF 50V J	
C208	QFLC2AJ-472Z	M CAPACITOR	4700pF 100V J	
C209	QETN1EM-477Z	E CAPACITOR	470uF 25V M	
△ C210	QCZ9104-472	C CAPACITOR	4700pF	
C212	QETN1CM-477Z	E CAPACITOR	470uF 16V M	
C213	QETN0JM-228Z	E CAPACITOR	2200uF 6.3V M	
C218	QETN1HM-105Z	E CAPACITOR	1uF 50V M	
C221	QCBB1HK-471Y	C CAPACITOR	470pF 50V K	5060BE, 5062SE, 5062SB, 5062SE N,5062S EV
C501	QEKC1HM-475Z	E CAPACITOR	4.7uF 50V M	
C503	QETN1AM-477Z	E CAPACITOR	470uF 10V M	
C505	QEKC1HM-475Z	E CAPACITOR	4.7uF 50V M	
C506	QETN1AM-477Z	E CAPACITOR	470uF 10V M	
C508	QEKC1HM-475Z	E CAPACITOR	4.7uF 50V M	
C511	QETN1CM-227Z	E CAPACITOR	220uF 16V M	
C512	QCBB1HK-223Y	C CAPACITOR	0.022uF 50V K	
C513	QCSB1HJ-390Y	C CAPACITOR	39pF 50V J	5060BE, 5062SE, 5062SB, 5062SE N,5062S EV
C514	QCSB1HJ-390Y	C CAPACITOR	39pF 50V J	5060BE, 5062SE, 5062SB, 5062SE N,5062S EV
C515	QCSB1HJ-390Y	C CAPACITOR	39pF 50V J	5060BE, 5062SE, 5062SB, 5062SE N,5062S EV
C521	QCBB1HK-221Y	C CAPACITOR	220pF 50V K	5060BJ, 5060BC
C522	QCZ0202-155Z	C CAPACITOR	1.5uF 25V Z	5060BJ, 5060BC

△ Symbol No.	Part No.	Part Name	Description	Local
C901	QCSB1HJ-470Y	C CAPACITOR	47pF 50V J	
C903	QCBB1HK-331Y	C CAPACITOR	330pF 50V K	
C904	QCBB1HK-331Y	C CAPACITOR	330pF 50V K	
C905	QCFB1HZ-104Y	C CAPACITOR	0.1uF 50V Z	
△ R1	QRZ9037-335	COMP RESISTOR	3.3MΩ 1/2W K	5060BJ, 5060BC
△ R201	QRJ146J-4R7X	UNF C RESISTOR	4.7Ω 1/4W J	
△ R204	QRJ146J-821X	UNF C RESISTOR	820Ω 1/4W J	
△ R208	QRJ146J-100X	UNF C RESISTOR	10Ω 1/4W J	
R209	QRE141J-104Y	C RESISTOR	100kΩ 1/4W J	
△ R210	QRK126J-121X	UNF C RESISTOR	120Ω 1/2W J	
△ R221	QRJ146J-100X	UNF C RESISTOR	10Ω 1/4W J	
R501	QRE141J-331Y	C RESISTOR	330Ω 1/4W J	
R502	QRE141J-750Y	C RESISTOR	75Ω 1/4W J	
R505	QRE141J-750Y	C RESISTOR	75Ω 1/4W J	
R506	QRE141J-473Y	C RESISTOR	47kΩ 1/4W J	
R507	QRE141J-331Y	C RESISTOR	330Ω 1/4W J	
R508	QRE141J-750Y	C RESISTOR	75Ω 1/4W J	
R509	QRE141J-750Y	C RESISTOR	75Ω 1/4W J	
R510	QRE141J-473Y	C RESISTOR	47kΩ 1/4W J	
R511	QRE141J-331Y	C RESISTOR	330Ω 1/4W J	
R512	QRE141J-131Y	C RESISTOR	130Ω 1/4W J	
R513	QRE141J-751Y	C RESISTOR	750Ω 1/4W J	
R515	QRE141J-131Y	C RESISTOR	130Ω 1/4W J	
R521	QRE141J-221Y	C RESISTOR	220Ω 1/4W J	5060BJ, 5060BC
R522	QRE141J-471Y	C RESISTOR	470Ω 1/4W J	5060BJ, 5060BC
R901	QRE141J-750Y	C RESISTOR	75Ω 1/4W J	
R903	QRE141J-471Y	C RESISTOR	470Ω 1/4W J	
R903	QRE141J-561Y	C RESISTOR	560Ω 1/4W J	5060BE, 5062SE, 5062SB, 5062SE N,5062S EV
R904	QRE141J-471Y	C RESISTOR	470Ω 1/4W J	5060BE, 5062SE, 5062SB, 5062SE N,5062S EV
R904	QRE141J-561Y	C RESISTOR	560Ω 1/4W J	5060BE, 5062SE, 5062SB, 5062SE N,5062S EV
L901	QQL244K-100Z	COIL	10uH K	
△ T202	QQT0478-001	POWER TRANSF		5060BJ, 5060BC
△ T202	QQT0478-002	POWER TRANSF		5060BE, 5062SE, 5062SB, 5062SE N,5062S EV
CN203	QGD2504C1-04Z	CONNECTOR	(1-4)	
CN241	QGD2504C1-05Z	CONNECTOR	(1-5)	
CN251	QGA3901F2-05	CONNECTOR	W-B (1-5)	
CN291	QGB2510J1-04	CONNECTOR	B-B (1-4)	
CN292	QGB2510K1-04	CONNECTOR	B-B (1-4)	
CN492	QGB2510K1-04	CONNECTOR	B-B (1-4)	
CN501	QGB2510K1-06	CONNECTOR	B-B (1-6)	
CN504	QGA2501F1-02	CONNECTOR	W-B (1-2)	
CN904	WJP0080-001A-E	SIN TWIST WIRE		
EP1	E409182-001SM	GRAND TERMINAL		
EP201	QNZ0136-001Z	IM EARTH PLATE		
FC211	QNG0020-001Z	FUSE CLIP I.M		
FC212	QNG0020-001Z	FUSE CLIP I.M		
FC221	QNG0020-001Z	FUSE CLIP I.M		
FC222	QNG0020-001Z	FUSE CLIP I.M		
FC231	QNG0020-001Z	FUSE CLIP I.M		
FC232	QNG0020-001Z	FUSE CLIP I.M		
FC251	QNG0020-001Z	FUSE CLIP I.M		5060BE, 5062SE, 5062SB, 5062SE N,5062S EV
FC252	QNG0020-001Z	FUSE CLIP I.M		5060BE, 5062SE, 5062SB, 5062SE N,5062S EV
FC261	QNG0020-001Z	FUSE CLIP I.M		5060BJ, 5060BC
FC262	QNG0020-001Z	FUSE CLIP I.M		5060BJ, 5060BC
FC271	QNG0020-001Z	FUSE CLIP I.M		5060BJ, 5060BC



△ Symbol No.	Part No.	Part Name	Description	Local	△ Symbol No.	Part No.	Part Name	Description	Local
FC272	QNG0020-001Z	FUSE CLIP I.M							5060BE, 5062SE, 5062SB, 5062SE N,5062S EV
FW201	QUM215-14Z3Z-E	PARA RIBON WIRE			C421	QCBB1HK-331Y	C CAPACITOR	330pF 50V K	
FW251	QUM213-08DGZ3-E	PARA RIBON WIRE							5060BE, 5062SE, 5062SB, 5062SE N,5062S EV
J501	QNN0011-001	PIN JACK			C422	QCBB1HK-331Y	C CAPACITOR	330pF 50V K	
J502	QNN0011-001	PIN JACK							5060BE, 5062SE, 5062SB, 5062SE N,5062S EV
J521	QNS0089-001	3.5 JACK		5060BJ, 5060BC					5060BE, 5062SE, 5062SB, 5062SE N,5062S EV
J901	QNN0772-001	PINJACK			C423	QCBB1HK-331Y	C CAPACITOR	330pF 50V K	
K901	QQR1183-001Z	FERRITE BEADS		5060BJ, 5060BC					5060BE, 5062SE, 5062SB, 5062SE N,5062S EV
△ RY202	QSK0128-001	RELAY							5060BE, 5062SE, 5062SB, 5062SE N,5062S EV
△ RY203	QSK0127-001	RELAY			C424	QCBB1HK-331Y	C CAPACITOR	330pF 50V K	
TA201	QNZ0079-001Z	TAB I.M							5060BE, 5062SE, 5062SB, 5062SE N,5062S EV
TA202	QNZ0079-001Z	TAB I.M			C425	QCBB1HK-331Y	C CAPACITOR	330pF 50V K	

## Amplifier board

Block No. [0][2]

△ Symbol No.	Part No.	Part Name	Description	Local	△ Symbol No.	Part No.	Part Name	Description	Local
PW401	QUB220-12DMHP-E	SIN TWIST WIRE			C426	QCBB1HK-331Y	C CAPACITOR	330pF 50V K	5060BE, 5062SE, 5062SB, 5062SE N,5062S EV
△ IC101	STK412-400	IC			C427	QCBB1HK-221Y	C CAPACITOR	220pF 50V K	
△ IC102	STK413-400	IC			C428	QCBB1HK-221Y	C CAPACITOR	220pF 50V K	
IC402	BD3841FS-X	IC							5060BE, 5062SE, 5062SB, 5062SE N,5062S EV
Q1131	KTC3200/GL/-T	TRANSISTOR			C429	QCBB1HK-331Y	C CAPACITOR	330pF 50V K	
Q1132	KTC3200/GL/-T	TRANSISTOR							5060BE, 5062SE, 5062SB, 5062SE N,5062S EV
Q1171	KTC3200/GL/-T	TRANSISTOR							5060BE, 5062SE, 5062SB, 5062SE N,5062S EV
Q1172	KTA1268/GL/-T	TRANSISTOR			C430	QCBB1HK-331Y	C CAPACITOR	330pF 50V K	
Q1173	KTC3199/GL/-T	TRANSISTOR							5060BE, 5062SE, 5062SB, 5062SE N,5062S EV
△ Q1175	KTA1046/Y/	TRANSISTOR *							5060BE, 5062SE, 5062SB, 5062SE N,5062S EV
Q1185	KTA1268/GL/-T	TRANSISTOR			C431	QCBB1HK-331Y	C CAPACITOR	330pF 50V K	
Q1231	KTC3200/GL/-T	TRANSISTOR							5060BE, 5062SE, 5062SB, 5062SE N,5062S EV
Q1232	KTC3200/GL/-T	TRANSISTOR							5060BE, 5062SE, 5062SB, 5062SE N,5062S EV
Q1261	KTC3200/GL/-T	TRANSISTOR							5060BE, 5062SE, 5062SB, 5062SE N,5062S EV
△ D1101	UF304G-F82	DIODE			C432	QCBB1HK-331Y	C CAPACITOR	330pF 50V K	
△ D1102	UF304G-F82	DIODE							5060BE, 5062SE, 5062SB, 5062SE N,5062S EV
△ D1103	UF304G-F82	DIODE							5060BE, 5062SE, 5062SB, 5062SE N,5062S EV
△ D1104	UF304G-F82	DIODE			C433	QCBB1HK-221Y	C CAPACITOR	220pF 50V K	
△ D1105	UF304G-F82	DIODE			C434	QCBB1HK-221Y	C CAPACITOR	220pF 50V K	
△ D1106	UF304G-F82	DIODE							5060BE, 5062SE, 5062SB, 5062SE N,5062S EV
△ D1107	UF304G-F82	DIODE			C435	QCBB1HK-331Y	C CAPACITOR	330pF 50V K	
△ D1108	UF304G-F82	DIODE							5060BE, 5062SE, 5062SB, 5062SE N,5062S EV
D1121	MTZJ15C-T2	Z DIODE							5060BE, 5062SE, 5062SB, 5062SE N,5062S EV
D1122	MTZJ15C-T2	Z DIODE							5060BE, 5062SE, 5062SB, 5062SE N,5062S EV
D1129	1SS133-T2	DIODE							5060BE, 5062SE, 5062SB, 5062SE N,5062S EV
D1130	1SS133-T2	DIODE							5060BE, 5062SE, 5062SB, 5062SE N,5062S EV
D1141	MTZJ36C-T2	Z DIODE			C436	QCBB1HK-331Y	C CAPACITOR	330pF 50V K	
D1171	1SS133-T2	DIODE							5060BE, 5062SE, 5062SB, 5062SE N,5062S EV
D1221	MTZJ15C-T2	Z DIODE			C437	QCBB1HK-331Y	C CAPACITOR	330pF 50V K	
D1222	MTZJ15C-T2	Z DIODE			C438	QCBB1HK-331Y	C CAPACITOR	330pF 50V K	
D1229	1SS133-T2	DIODE			C443	QETN1EM-476Z	E CAPACITOR	47uF 25V M	
D1230	1SS133-T2	DIODE			C444	QETN1EM-476Z	E CAPACITOR	47uF 25V M	
D1261	1SS133-T2	DIODE							5060BE, 5062SE, 5062SB, 5062SE N,5062S EV
D1352	1SS133-T2	DIODE							5060BE, 5062SE, 5062SB, 5062SE N,5062S EV
D1353	1SS133-T2	DIODE			C451	QCBB1HK-331Y	C CAPACITOR	330pF 50V K	
D1354	1SS133-T2	DIODE							5060BE, 5062SE, 5062SB, 5062SE N,5062S EV
C101	QCBB1HK-331Y	C CAPACITOR	330pF 50V K	5060BJ, 5060BC					5060BE, 5062SE, 5062SB, 5062SE N,5062S EV
C101	QDGB1HK-102Y	C CAPACITOR	1000pF 50V K	5060BE, 5062SE, 5062SB, 5062SE N,5062S EV					5060BE, 5062SE, 5062SB, 5062SE N,5062S EV
C102	QCBB1HK-331Y	C CAPACITOR	330pF 50V K	5060BJ, 5060BC	C460	QDGB1HK-102Y	C CAPACITOR	1000pF 50V K	
C102	QDGB1HK-102Y	C CAPACITOR	1000pF 50V K	5060BE, 5062SE, 5062SB, 5062SE N,5062S EV					5060BE, 5062SE, 5062SB, 5062SE N,5062S EV
C418	QCBB1HK-561Y	C CAPACITOR	560pF 50V K		C1101	QFLC1HJ-471Z	M CAPACITOR	470pF 50V J	
C419	QCBB1HK-223Y	C CAPACITOR	0.022uF 50V K		C1102	QFLC1HJ-471Z	M CAPACITOR	470pF 50V J	
C420	QCBB1HK-223Y	C CAPACITOR	0.022uF 50V K		C1103	QENC1HM-475Z	BP E CAPACITOR	4.7uF 50V M	
					C1104	QENC1HM-475Z	BP E CAPACITOR	4.7uF 50V M	
					C1105	QETN1AM-227Z	E CAPACITOR	220uF 10V M	
					C1106	QETN1AM-227Z	E CAPACITOR	220uF 10V M	
					C1107	QCSB1HK-3R3Y	C CAPACITOR	3.3pF 50V K	
					C1108	QCSB1HK-3R3Y	C CAPACITOR	3.3pF 50V K	

△ Symbol No.	Part No.	Part Name	Description	Local	△ Symbol No.	Part No.	Part Name	Description	Local
C1111	QEZ0806-688	E CAPACITOR	6800uF						5060BE, 5062SE, 5062SB, 5062SE N,5062S EV
C1112	QEZ0806-688	E CAPACITOR	6800uF						5060BE, 5062SE, 5062SB, 5062SE N,5062S EV
C1113	QEZ0805-478	E CAPACITER	4700uF		C1365	QFLC1HJ-473Z	M CAPACITOR	0.047uF 50V J	5060BE, 5062SE, 5062SB, 5062SE N,5062S EV
C1114	QEZ0805-478	E CAPACITER	4700uF						5060BE, 5062SE, 5062SB, 5062SE N,5062S EV
C1115	QFZ9076-104Z	MM CAPACITOR	0.1uF						5060BE, 5062SE, 5062SB, 5062SE N,5062S EV
C1116	QFZ9076-104Z	MM CAPACITOR	0.1uF		C1366	QCS32HJ-221Z	C CAPACITOR	220pF 500V J	5060BE, 5062SE, 5062SB, 5062SE N,5062S EV
C1117	QFZ9076-104Z	MM CAPACITOR	0.1uF						5060BE, 5062SE, 5062SB, 5062SE N,5062S EV
C1118	QFZ9076-104Z	MM CAPACITOR	0.1uF						5060BE, 5062SE, 5062SB, 5062SE N,5062S EV
C1119	QFZ9076-104Z	MM CAPACITOR	0.1uF						5060BE, 5062SE, 5062SB, 5062SE N,5062S EV
C1120	QFZ9076-104Z	MM CAPACITOR	0.1uF		C1368	QCS32HJ-221Z	C CAPACITOR	220pF 500V J	5060BE, 5062SE, 5062SB, 5062SE N,5062S EV
C1121	QETN2AM-107Z	E CAPACITOR	100uF 100V M						5060BE, 5062SE, 5062SB, 5062SE N,5062S EV
C1122	QETN2AM-107Z	E CAPACITOR	100uF 100V M						5060BE, 5062SE, 5062SB, 5062SE N,5062S EV
C1123	QCBB1HJ-101Y	C CAPACITOR	100pF 50V J		C1369	QFLC1HJ-473Z	M CAPACITOR	0.047uF 50V J	5060BE, 5062SE, 5062SB, 5062SE N,5062S EV
C1124	QCBB1HJ-101Y	C CAPACITOR	100pF 50V J						5060BE, 5062SE, 5062SB, 5062SE N,5062S EV
C1141	QFLC1HJ-473Z	M CAPACITOR	0.047uF 50V J						5060BE, 5062SE, 5062SB, 5062SE N,5062S EV
C1142	QFLC1HJ-473Z	M CAPACITOR	0.047uF 50V J						5060BE, 5062SE, 5062SB, 5062SE N,5062S EV
C1143	QFLC1HJ-473Z	M CAPACITOR	0.047uF 50V J		C1370	QFLC1HJ-473Z	M CAPACITOR	0.047uF 50V J	5060BE, 5062SE, 5062SB, 5062SE N,5062S EV
C1144	QFLC1HJ-473Z	M CAPACITOR	0.047uF 50V J						5060BE, 5062SE, 5062SB, 5062SE N,5062S EV
C1171	QEKC1EM-106Z	E CAPACITOR	10uF 25V M						5060BE, 5062SE, 5062SB, 5062SE N,5062S EV
C1172	QEKC1CM-476Z	E CAPACITOR	47uF 16V M						5060BE, 5062SE, 5062SB, 5062SE N,5062S EV
C1185	QETN2AM-106Z	E CAPACITOR	10uF 100V M						5060BE, 5062SE, 5062SB, 5062SE N,5062S EV
C1191	QETN1HM-476Z	E CAPACITOR	47uF 50V M						5060BE, 5062SE, 5062SB, 5062SE N,5062S EV
C1201	QFLC1HJ-471Z	M CAPACITOR	470pF 50V J		C1371	QCS32HJ-221Z	C CAPACITOR	220pF 500V J	5060BE, 5062SE, 5062SB, 5062SE N,5062S EV
C1202	QFLC1HJ-471Z	M CAPACITOR	470pF 50V J						5060BE, 5062SE, 5062SB, 5062SE N,5062S EV
C1203	QENC1HM-475Z	BP E CAPACITOR	4.7uF 50V M						5060BE, 5062SE, 5062SB, 5062SE N,5062S EV
C1204	QENC1HM-475Z	BP E CAPACITOR	4.7uF 50V M						5060BE, 5062SE, 5062SB, 5062SE N,5062S EV
C1205	QETN1CM-107Z	E CAPACITOR	100uF 16V M		C1372	QCS32HJ-221Z	C CAPACITOR	220pF 500V J	5060BE, 5062SE, 5062SB, 5062SE N,5062S EV
C1206	QETN1CM-107Z	E CAPACITOR	100uF 16V M						5060BE, 5062SE, 5062SB, 5062SE N,5062S EV
C1207	QCSB1HK-3R3Y	C CAPACITOR	3.3pF 50V K						5060BE, 5062SE, 5062SB, 5062SE N,5062S EV
C1208	QCSB1HK-3R3Y	C CAPACITOR	3.3pF 50V K						5060BE, 5062SE, 5062SB, 5062SE N,5062S EV
C1221	QETN2AM-107Z	E CAPACITOR	100uF 100V M		C1373	QCS32HJ-221Z	C CAPACITOR	220pF 500V J	5060BE, 5062SE, 5062SB, 5062SE N,5062S EV
C1222	QETN2AM-107Z	E CAPACITOR	100uF 100V M						5060BE, 5062SE, 5062SB, 5062SE N,5062S EV
C1223	QCBB1HJ-101Y	C CAPACITOR	100pF 50V J						5060BE, 5062SE, 5062SB, 5062SE N,5062S EV
C1224	QCBB1HJ-101Y	C CAPACITOR	100pF 50V J						5060BE, 5062SE, 5062SB, 5062SE N,5062S EV
C1241	QFLC1HJ-473Z	M CAPACITOR	0.047uF 50V J		C1374	QCS32HJ-221Z	C CAPACITOR	220pF 500V J	5060BE, 5062SE, 5062SB, 5062SE N,5062S EV
C1242	QFLC1HJ-473Z	M CAPACITOR	0.047uF 50V J						5060BE, 5062SE, 5062SB, 5062SE N,5062S EV
C1243	QFLC1HJ-473Z	M CAPACITOR	0.047uF 50V J						5060BE, 5062SE, 5062SB, 5062SE N,5062S EV
C1244	QFLC1HJ-473Z	M CAPACITOR	0.047uF 50V J						5060BE, 5062SE, 5062SB, 5062SE N,5062S EV
C1261	QFLC1HJ-471Z	M CAPACITOR	470pF 50V J						5060BE, 5062SE, 5062SB, 5062SE N,5062S EV
C1262	QENC1HM-475Z	BP E CAPACITOR	4.7uF 50V M		C1375	QCS32HJ-221Z	C CAPACITOR	220pF 500V J	5060BE, 5062SE, 5062SB, 5062SE N,5062S EV
C1263	QETN1CM-107Z	E CAPACITOR	100uF 16V M						5060BE, 5062SE, 5062SB, 5062SE N,5062S EV
C1264	QCSB1HK-3R3Y	C CAPACITOR	3.3pF 50V K						5060BE, 5062SE, 5062SB, 5062SE N,5062S EV
C1265	QCBB1HJ-101Y	C CAPACITOR	100pF 50V J						5060BE, 5062SE, 5062SB, 5062SE N,5062S EV
C1266	QFLC1HJ-473Z	M CAPACITOR	0.047uF 50V J		C1376	QCS32HJ-221Z	C CAPACITOR	220pF 500V J	5060BE, 5062SE, 5062SB, 5062SE N,5062S EV
C1267	QFLC1HJ-473Z	M CAPACITOR	0.047uF 50V J						5060BE, 5062SE, 5062SB, 5062SE N,5062S EV
C1268	QCBB1HK-223Y	C CAPACITOR	0.022uF 50V K	5060BE, 5062SE, 5062SB, 5062SE N,5062S EV	C1377	QCS32HJ-221Z	C CAPACITOR	220pF 500V J	5060BE, 5062SE, 5062SB, 5062SE N,5062S EV
C1333	QCBB1HK-103Y	C CAPACITOR	0.01uF 50V K	5060BE, 5062SE, 5062SB, 5062SE N,5062S EV					5060BE, 5062SE, 5062SB, 5062SE N,5062S EV
C1359	QCS32HJ-221Z	C CAPACITOR	220pF 500V J	5060BE, 5062SE, 5062SB, 5062SE N,5062S EV	C1378	QCS32HJ-221Z	C CAPACITOR	220pF 500V J	5060BE, 5062SE, 5062SB, 5062SE N,5062S EV
C1360	QCS32HJ-221Z	C CAPACITOR	220pF 500V J	5060BE, 5062SE, 5062SB, 5062SE N,5062S EV	R101	QRL027J-471	OMF RESISTOR	470Ω 2W J	
C1361	QFLC1HJ-473Z	M CAPACITOR	0.047uF 50V J	5060BE, 5062SE, 5062SB, 5062SE N,5062S EV	R102	QRL027J-471	OMF RESISTOR	470Ω 2W J	
C1362	QFLC1HJ-473Z	M CAPACITOR	0.047uF 50V J	5060BE, 5062SE, 5062SB, 5062SE N,5062S EV	R421	QRE141J-471Y	C RESISTOR	470Ω 1/4W J	
C1363	QCS32HJ-221Z	C CAPACITOR	220pF 500V J	5060BE, 5062SE, 5062SB, 5062SE N,5062S EV	R422	QRE141J-471Y	C RESISTOR	470Ω 1/4W J	
C1364	QCS32HJ-221Z	C CAPACITOR	220pF 500V J	5060BE, 5062SE, 5062SB, 5062SE N,5062S EV	R423	QRE141J-471Y	C RESISTOR	470Ω 1/4W J	
				5060BE, 5062SE, 5062SB, 5062SE N,5062S EV	R424	QRE141J-471Y	C RESISTOR	470Ω 1/4W J	
				5060BE, 5062SE, 5062SB, 5062SE N,5062S EV	R425	QRE141J-471Y	C RESISTOR	470Ω 1/4W J	
				5060BE, 5062SE, 5062SB, 5062SE N,5062S EV	R426	QRE141J-471Y	C RESISTOR	470Ω 1/4W J	
				5060BE, 5062SE, 5062SB, 5062SE N,5062S EV	R429	QRE141J-471Y	C RESISTOR	470Ω 1/4W J	
				5060BE, 5062SE, 5062SB, 5062SE N,5062S EV	R430	QRE141J-471Y	C RESISTOR	470Ω 1/4W J	
				5060BE, 5062SE, 5062SB, 5062SE N,5062S EV	R431	QRE141J-471Y	C RESISTOR	470Ω 1/4W J	
				5060BE, 5062SE, 5062SB, 5062SE N,5062S EV	R432	QRE141J-471Y	C RESISTOR	470Ω 1/4W J	
				5060BE, 5062SE, 5062SB, 5062SE N,5062S EV	R435	QRE141J-471Y	C RESISTOR	470Ω 1/4W J	
				5060BE, 5062SE, 5062SB, 5062SE N,5062S EV	R436	QRE141J-471Y	C RESISTOR	470Ω 1/4W J	
				5060BE, 5062SE, 5062SB, 5062SE N,5062S EV	R440	QRE141J-102Y	C RESISTOR	1kΩ 1/4W J	
				5060BE, 5062SE, 5062SB, 5062SE N,5062S EV	R441	QRE141J-102Y	C RESISTOR	1kΩ 1/4W J	
				5060BE, 5062SE, 5062SB, 5062SE N,5062S EV	R445	QRE141J-104Y	C RESISTOR	100kΩ 1/4W J	
				5060BE, 5062SE, 5062SB, 5062SE N,5062S EV	R446	QRE141J-104Y	C RESISTOR	100kΩ 1/4W J	
				5060BE, 5062SE, 5062SB, 5062SE N,5062S EV	R447	QRJ146J-2R2X	UNF C RESISTOR	2.2Ω 1/4W J	
				5060BE, 5062SE, 5062SB, 5062SE N,5062S EV	R448	QRJ146J-2R2X	UNF C RESISTOR	2.2Ω 1/4W J	
				5060BE, 5062SE, 5062SB, 5062SE N,5062S EV	R451	QRE141J-471Y	C RESISTOR	470Ω 1/4W J	
				5060BE, 5062SE, 5062SB, 5062SE N,5062S EV	R452	QRE141J-471Y	C RESISTOR	470Ω 1/4W J	
				5060BE, 5062SE, 5062SB, 5062SE N,5062S EV	R471	QRE141J-473Y	C RESISTOR	47kΩ 1/4W J	

△ Symbol No.	Part No.	Part Name	Description	Local	△ Symbol No.	Part No.	Part Name	Description	Local	
R472	QRE141J-473Y	C RESISTOR	47kΩ 1/4W J		△ R1235	QRJ146J-2R2X	UNF C RESISTOR	2.2Ω 1/4W J		
R473	QRE141J-473Y	C RESISTOR	47kΩ 1/4W J		△ R1236	QRJ146J-2R2X	UNF C RESISTOR	2.2Ω 1/4W J		
R474	QRE141J-473Y	C RESISTOR	47kΩ 1/4W J		△ R1237	QRJ146J-2R2X	UNF C RESISTOR	2.2Ω 1/4W J		
R475	QRE141J-473Y	C RESISTOR	47kΩ 1/4W J		R1241	QRJ146J-330X	UNF C RESISTOR	33Ω 1/4W J		
R476	QRE141J-473Y	C RESISTOR	47kΩ 1/4W J		R1242	QRJ146J-330X	UNF C RESISTOR	33Ω 1/4W J		
R477	QRE141J-473Y	C RESISTOR	47kΩ 1/4W J		△ R1243	QRL027J-100	OMF RESISTOR	10Ω 2W J		
R478	QRE141J-473Y	C RESISTOR	47kΩ 1/4W J		△ R1244	QRL027J-100	OMF RESISTOR	10Ω 2W J		
R479	QRE141J-473Y	C RESISTOR	47kΩ 1/4W J		R1261	QRE141J-102Y	C RESISTOR	1kΩ 1/4W J		
R480	QRE141J-473Y	C RESISTOR	47kΩ 1/4W J		R1262	QRE141J-623Y	C RESISTOR	62kΩ 1/4W J		
R481	QRE141J-473Y	C RESISTOR	47kΩ 1/4W J		△ R1263	QRJ146J-301X	UNF C RESISTOR	300Ω 1/4W J		
R482	QRE141J-473Y	C RESISTOR	47kΩ 1/4W J		R1264	QRE141J-623Y	C RESISTOR	62kΩ 1/4W J		
R1101	QRE141J-102Y	C RESISTOR	1kΩ 1/4W J		△ R1265	QRZ0224-R22	EMIT.RESISTOR	0.22Ω		
R1102	QRE141J-102Y	C RESISTOR	1kΩ 1/4W J		R1266	QRE141J-102Y	C RESISTOR	1kΩ 1/4W J		
R1103	QRE141J-104Y	C RESISTOR	100kΩ 1/4W J		R1267	QRE141J-183Y	C RESISTOR	18kΩ 1/4W J		
R1104	QRE141J-104Y	C RESISTOR	100kΩ 1/4W J		R1268	QRE141J-473Y	C RESISTOR	47kΩ 1/4W J		
△ R1105	QRJ146J-751X	UNF C RESISTOR	750Ω 1/4W J		R1269	QRJ146J-330X	UNF C RESISTOR	33Ω 1/4W J		
△ R1106	QRJ146J-751X	UNF C RESISTOR	750Ω 1/4W J		△ R1270	QRL027J-100	OMF RESISTOR	10Ω 2W J		
R1107	QRE141J-104Y	C RESISTOR	100kΩ 1/4W J		△ R1352	QRK126J-121X	UNF C RESISTOR	120Ω 1/2W J		
R1108	QRE141J-104Y	C RESISTOR	100kΩ 1/4W J		△ R1353	QRK126J-121X	UNF C RESISTOR	120Ω 1/2W J		
R1109	QRE141J-333Y	C RESISTOR	33kΩ 1/4W J		△ R1354	QRK126J-121X	UNF C RESISTOR	120Ω 1/2W J		
△ R1121	QRJ146J-471X	UNF C RESISTOR	470Ω 1/4W J						5060BE, 5062SE, 5062SB, 5062SE N,5062S EV	
△ R1122	QRJ146J-471X	UNF C RESISTOR	470Ω 1/4W J		△ R1370	QRJ146J-3R9X	UNF C RESISTOR	3.9Ω 1/4W J		5060BE, 5062SE, 5062SB, 5062SE N,5062S EV
△ R1123	QRL017J-152	OMF RESISTOR	1.5kΩ 1W J							5060BE, 5062SE, 5062SB, 5062SE N,5062S EV
△ R1124	QRL017J-152	OMF RESISTOR	1.5kΩ 1W J							5060BE, 5062SE, 5062SB, 5062SE N,5062S EV
△ R1125	QRZ0224-R22	EMIT.RESISTOR	0.22Ω		△ R1371	QRJ146J-3R9X	UNF C RESISTOR	3.9Ω 1/4W J		5060BE, 5062SE, 5062SB, 5062SE N,5062S EV
△ R1126	QRZ0224-R22	EMIT.RESISTOR	0.22Ω							5060BE, 5062SE, 5062SB, 5062SE N,5062S EV
R1127	QRE141J-102Y	C RESISTOR	1kΩ 1/4W J		△ R1372	QRJ146J-3R9X	UNF C RESISTOR	3.9Ω 1/4W J		5060BE, 5062SE, 5062SB, 5062SE N,5062S EV
R1128	QRE141J-102Y	C RESISTOR	1kΩ 1/4W J							5060BE, 5062SE, 5062SB, 5062SE N,5062S EV
R1129	QRE141J-183Y	C RESISTOR	18kΩ 1/4W J		△ R1373	QRJ146J-3R9X	UNF C RESISTOR	3.9Ω 1/4W J		5060BE, 5062SE, 5062SB, 5062SE N,5062S EV
R1130	QRE141J-183Y	C RESISTOR	18kΩ 1/4W J							5060BE, 5062SE, 5062SB, 5062SE N,5062S EV
R1131	QRE141J-473Y	C RESISTOR	47kΩ 1/4W J		△ R1374	QRJ146J-3R9X	UNF C RESISTOR	3.9Ω 1/4W J		5060BE, 5062SE, 5062SB, 5062SE N,5062S EV
R1132	QRE141J-473Y	C RESISTOR	47kΩ 1/4W J							5060BE, 5062SE, 5062SB, 5062SE N,5062S EV
△ R1133	QRJ146J-101X	UNF C RESISTOR	100Ω 1/4W J							5060BE, 5062SE, 5062SB, 5062SE N,5062S EV
△ R1134	QRJ146J-2R2X	UNF C RESISTOR	2.2Ω 1/4W J							5060BE, 5062SE, 5062SB, 5062SE N,5062S EV
△ R1135	QRJ146J-2R2X	UNF C RESISTOR	2.2Ω 1/4W J							5060BE, 5062SE, 5062SB, 5062SE N,5062S EV
△ R1136	QRJ146J-2R2X	UNF C RESISTOR	2.2Ω 1/4W J							5060BE, 5062SE, 5062SB, 5062SE N,5062S EV
△ R1137	QRJ146J-2R2X	UNF C RESISTOR	2.2Ω 1/4W J							5060BE, 5062SE, 5062SB, 5062SE N,5062S EV
R1141	QRJ146J-330X	UNF C RESISTOR	33Ω 1/4W J							5060BE, 5062SE, 5062SB, 5062SE N,5062S EV
R1142	QRJ146J-330X	UNF C RESISTOR	33Ω 1/4W J							5060BE, 5062SE, 5062SB, 5062SE N,5062S EV
△ R1143	QRL027J-100	OMF RESISTOR	10Ω 2W J							5060BE, 5062SE, 5062SB, 5062SE N,5062S EV
△ R1144	QRL027J-100	OMF RESISTOR	10Ω 2W J							5060BE, 5062SE, 5062SB, 5062SE N,5062S EV
R1171	QRE141J-104Y	C RESISTOR	100kΩ 1/4W J		L1141	QQLZ005-R45	COIL	0.45uH		
R1172	QRE141J-823Y	C RESISTOR	82kΩ 1/4W J		L1142	QQLZ005-R45	COIL	0.45uH		
R1173	QRE141J-104Y	C RESISTOR	100kΩ 1/4W J		L1241	QQLZ005-R45	COIL	0.45uH		
R1174	QRE141J-104Y	C RESISTOR	100kΩ 1/4W J		L1242	QQLZ005-R45	COIL	0.45uH		
R1175	QRE141J-104Y	C RESISTOR	100kΩ 1/4W J		L1269	QQLZ005-R45	COIL	0.45uH		
R1176	QRE141J-104Y	C RESISTOR	100kΩ 1/4W J							5060BE, 5062SE, 5062SB, 5062SE N,5062S EV
R1177	QRE141J-104Y	C RESISTOR	100kΩ 1/4W J							5060BE, 5062SE, 5062SB, 5062SE N,5062S EV
R1178	QRE141J-103Y	C RESISTOR	10kΩ 1/4W J		L1351	QQLZ005-R45	COIL	0.45uH		
R1179	QRE141J-103Y	C RESISTOR	10kΩ 1/4W J							5060BE, 5062SE, 5062SB, 5062SE N,5062S EV
R1185	QRE141J-103Y	C RESISTOR	10kΩ 1/4W J							5060BE, 5062SE, 5062SB, 5062SE N,5062S EV
R1186	QRE141J-104Y	C RESISTOR	100kΩ 1/4W J		L1352	QQLZ005-R45	COIL	0.45uH		
△ R1191	QRZ9005-680X	F.RES. I.M	68Ω							5060BE, 5062SE, 5062SB, 5062SE N,5062S EV
△ R1192	QRJ146J-562X	UNF C RESISTOR	5.6kΩ 1/4W J							5060BE, 5062SE, 5062SB, 5062SE N,5062S EV
R1201	QRE141J-102Y	C RESISTOR	1kΩ 1/4W J							5060BE, 5062SE, 5062SB, 5062SE N,5062S EV
R1202	QRE141J-102Y	C RESISTOR	1kΩ 1/4W J							5060BE, 5062SE, 5062SB, 5062SE N,5062S EV
R1203	QRE141J-104Y	C RESISTOR	100kΩ 1/4W J		L1353	QQLZ005-R45	COIL	0.45uH		
R1204	QRE141J-104Y	C RESISTOR	100kΩ 1/4W J							5060BE, 5062SE, 5062SB, 5062SE N,5062S EV
△ R1205	QRJ146J-751X	UNF C RESISTOR	750Ω 1/4W J							5060BE, 5062SE, 5062SB, 5062SE N,5062S EV
△ R1206	QRJ146J-751X	UNF C RESISTOR	750Ω 1/4W J							5060BE, 5062SE, 5062SB, 5062SE N,5062S EV
R1207	QRE141J-104Y	C RESISTOR	100kΩ 1/4W J		L1354	QQLZ005-R45	COIL	0.45uH		
R1208	QRE141J-104Y	C RESISTOR	100kΩ 1/4W J							5060BE, 5062SE, 5062SB, 5062SE N,5062S EV
R1209	QRE141J-333Y	C RESISTOR	33kΩ 1/4W J							5060BE, 5062SE, 5062SB, 5062SE N,5062S EV
R1210	QRE141J-101Y	C RESISTOR	100Ω 1/4W J							5060BE, 5062SE, 5062SB, 5062SE N,5062S EV
△ R1221	QRJ146J-471X	UNF C RESISTOR	470Ω 1/4W J		L1355	QQLZ005-R45	COIL	0.45uH		
△ R1222	QRJ146J-471X	UNF C RESISTOR	470Ω 1/4W J							5060BE, 5062SE, 5062SB, 5062SE N,5062S EV
△ R1223	QRL017J-152	OMF RESISTOR	1.5kΩ 1W J							5060BE, 5062SE, 5062SB, 5062SE N,5062S EV
△ R1224	QRL017J-152	OMF RESISTOR	1.5kΩ 1W J							5060BE, 5062SE, 5062SB, 5062SE N,5062S EV
△ R1225	QRZ0224-R22	EMIT.RESISTOR	0.22Ω							5060BE, 5062SE, 5062SB, 5062SE N,5062S EV
△ R1226	QRZ0224-R22	EMIT.RESISTOR	0.22Ω		CN101	QGD2504C1-03Z	CONNECTOR	(1-3)		
R1227	QRE141J-102Y	C RESISTOR	1kΩ 1/4W J		CN151	QJK012-051900-E	WIRE			
R1228	QRE141J-102Y	C RESISTOR	1kΩ 1/4W J		CN171	QJP001-031801-E	SHI CR C-B WIRE			
R1229	QRE141J-183Y	C RESISTOR	18kΩ 1/4W J		CN272	QJP002-021201-E	SHI CR C-B WIRE			
R1230	QRE141J-183Y	C RESISTOR	18kΩ 1/4W J		CN273	QJP001-031001-E	SHI CR C-B WIRE			
R1231	QRE141J-473Y	C RESISTOR	47kΩ 1/4W J		CN401	QGB2510K1-15	CONNECTOR	B-B (1-15)		
R1232	QRE141J-473Y	C RESISTOR	47kΩ 1/4W J		CN404	QGA2501F1-03	CONNECTOR	W-B (1-3)		
△ R1233	QRJ146J-101X	UNF C RESISTOR	100Ω 1/4W J		CN451	QGB2510K1-06	CONNECTOR	B-B (1-6)		
△ R1234	QRJ146J-2R2X	UNF C RESISTOR	2.2Ω 1/4W J		EP101	QNZ0136-001Z	IM EARTH PLATE			
					FW141	QUM215-16DGZ3-E	WIRE			

△ Symbol No.	Part No.	Part Name	Description	Local	△ Symbol No.	Part No.	Part Name	Description	Local
FW301	QUM215-26Z3Z3-E	PARA RIBON WIRE			D1404	MTZJ5.6C-T2	Z DIODE		
FW302	QUM216-26Z3Z3-E	PARA RIBON WIRE			D1405	MTZJ11A-T2	Z DIODE		
FW303	QUM214-26DGZ3-E	PARA RIBON WIRE			D1407	MTZJ7.5C-T2	Z DIODE		
J101	QNS0249-001	JACK			D1408	MTZJ7.5C-T2	Z DIODE		
J402	QNN0478-001	PIN JACK			D1409	MA152WK-X	SI DIODE		
J403	QNN0478-001	PIN JACK							5060BE, 5062SE, 5062SB, 5062SE N,5062S EV
J404	QNN0389-001	PIN JACK			D1411	1SS355W-X	SI DIODE		
J406	QNN0480-001	PIN JACK							
△ RY302	QSK0127-001	RELAY			D1412	1SS355W-X	SI DIODE		
△ RY303	QSK0127-001	RELAY			D1413	1SS355W-X	SI DIODE		
△ RY304	QSK0127-001	RELAY			D1414	1SS355W-X	SI DIODE		
ST301	QNB0188-001	SPEAKER TERMINA			D1415	1SS355W-X	SI DIODE		
TW301	QUB230-05DMZ4-E	SIN TWIST WIRE							

## Front board

Block No. [0][3]

△ Symbol No.	Part No.	Part Name	Description	Local	△ Symbol No.	Part No.	Part Name	Description	Local
PW502	QUB220-12DMHP-E	SIN TWIST WIRE		5060BE, 5062SE, 5062SB, 5062SE N,5062S EV	C701	QEKC0JM-107Z	E CAPACITOR	100uF 6.3V M	
IC422	NJM4565M-WE	IC			C702	QCZ0202-155Z	C CAPACITOR	1.5uF 25V Z	
IC427	NJM4565M-WE	IC			C703	QEKC1HM-225Z	E CAPACITOR	2.2uF 50V M	
IC428	BD3814FV-X	IC			C704	NCB31CK-223X	C CAPACITOR	0.022uF 16V K	
IC701	MN101C88GPA	IC		5060BJ, 5060BC	C705	QEKC0JM-107Z	E CAPACITOR	100uF 6.3V M	
IC701	MN101C88GPC	IC		5060BE, 5062SE, 5062SB, 5062SE N,5062S EV	C706	NCB21HK-331X	C CAPACITOR	330pF 50V K	5060BJ, 5060BC
IC702	IC-PST9139-T	IC			C707	QEKC1HM-475Z	E CAPACITOR	4.7uF 50V M	
IC703	GP1UM281XKVF	IR DETECT UNIT			C708	QEKC1HM-475Z	E CAPACITOR	4.7uF 50V M	
IC704	BR24L02F-W-X	IC			C709	QEKC1HM-475Z	E CAPACITOR	4.7uF 50V M	
Q701	KRC107S-X	DIGI TRANSISTOR			C710	NCB21HK-104X	C CAPACITOR	0.1uF 50V K	5060BE, 5062SE, 5062SB, 5062SE N,5062S EV
Q702	KRC111S-X	TRANSISTOR		5060BJ, 5060BC	C713	NCB21HK-103X	C CAPACITOR	0.01uF 50V K	
Q703	KRC109S-X	TRANSISTOR		5060BJ, 5060BC	C714	NCB21HK-103X	C CAPACITOR	0.01uF 50V K	
Q707	KRC107S-X	DIGI TRANSISTOR			C715	NCB21HK-103X	C CAPACITOR	0.01uF 50V K	
Q708	KRC107S-X	DIGI TRANSISTOR			C716	NCB21HK-103X	C CAPACITOR	0.01uF 50V K	
Q709	KRC107S-X	DIGI TRANSISTOR			C717	NCB21HK-103X	C CAPACITOR	0.01uF 50V K	
Q711	KRA104S-X	DIGI TRANSISTOR			C718	NCB21HK-103X	C CAPACITOR	0.01uF 50V K	
△ Q1401	KTA1046/Y/	TRANSISTOR *			C719	NCB21HK-103X	C CAPACITOR	0.01uF 50V K	
△ Q1402	2SD2394/EF/	TRANSISTOR			C720	NCB31CK-104X	C CAPACITOR	0.1uF 16V K	
△ Q1403	2SD2394/EF/	TRANSISTOR			C721	NCB31CK-104X	C CAPACITOR	0.1uF 16V K	
△ Q1404	2SD2394/EF/	TRANSISTOR			C722	QCZ0202-155Z	C CAPACITOR	1.5uF 25V Z	
△ Q1407	KTC3203/OY/-T	TRANSISTOR			C723	NCB31CK-104X	C CAPACITOR	0.1uF 16V K	
△ Q1408	KTA1271/OY/-T	TRANSISTOR			C724	NCB31CK-104X	C CAPACITOR	0.1uF 16V K	
Q1413	2SC3576-JVC-T	TRANSISTOR			C725	QEKC1HM-475Z	E CAPACITOR	4.7uF 50V M	
Q1414	2SC3576-JVC-T	TRANSISTOR			C730	NCB31CK-104X	C CAPACITOR	0.1uF 16V K	
Q1417	2SC3576-JVC-T	TRANSISTOR			C731	NCB21HK-104X	C CAPACITOR	0.1uF 50V K	5060BE, 5062SE, 5062SB, 5062SE N,5062S EV
Q1418	2SC3576-JVC-T	TRANSISTOR			C732	NCB31CK-104X	C CAPACITOR	0.1uF 16V K	
Q1419	2SC3576-JVC-T	TRANSISTOR			C733	NCB31HK-103X	C CAPACITOR	0.01uF 50V K	
Q1420	KRA104M-T	DIGI TRANSISTOR			C734	NCB31HK-104X	C CAPACITOR	0.1uF 50V K	
Q1421	2SC3576-JVC-T	TRANSISTOR			C735	NCB31HK-104X	C CAPACITOR	0.1uF 50V K	
Q1422	2SC3576-JVC-T	TRANSISTOR			C736	NCB31HK-104X	C CAPACITOR	0.1uF 50V K	
Q1423	KRA104M-T	DIGI TRANSISTOR			C1401	QETN1HM-476Z	E CAPACITOR	47uF 50V M	
Q1424	KRA104M-T	DIGI TRANSISTOR			C1402	QETN1EM-107Z	E CAPACITOR	100uF 25V M	
Q1426	2SC3576-JVC-T	TRANSISTOR			C1403	QETN1EM-107Z	E CAPACITOR	100uF 25V M	
Q1427	2SC3576-JVC-T	TRANSISTOR			C1404	QETN1EM-107Z	E CAPACITOR	100uF 25V M	
Q1428	2SC3576-JVC-T	TRANSISTOR			C1405	QETN1EM-107Z	E CAPACITOR	100uF 25V M	
Q1429	KRA104M-T	DIGI TRANSISTOR			C1406	QETN1CM-108Z	E CAPACITOR	1000uF 16V M	
△ Q1434	2SD2394/EF/	TRANSISTOR			C1408	QETN1EM-476Z	E CAPACITOR	47uF 25V M	
△ Q1435	2SD2394/EF/	TRANSISTOR			C1409	QETN1EM-476Z	E CAPACITOR	47uF 25V M	
D701	1SS355W-X	SI DIODE			C1413	QEKC1HM-475Z	E CAPACITOR	4.7uF 50V M	
D703	1SS355W-X	SI DIODE			C1414	QEKC1HM-475Z	E CAPACITOR	4.7uF 50V M	
D704	1SS355W-X	SI DIODE			C1416	NCB31CK-223X	C CAPACITOR	0.022uF 16V K	
D719	SLR-343VC/NPQ-T	LED			C1417	NCB31CK-223X	C CAPACITOR	0.022uF 16V K	
D1401	MTZJ11A-T2	Z DIODE			C1422	QEKC1HM-475Z	E CAPACITOR	4.7uF 50V M	
D1402	MTZJ6.2C-T2	Z DIODE			C1423	QEKC1HM-475Z	E CAPACITOR	4.7uF 50V M	
D1403	MTZJ5.6B-T2	Z DIODE			C1424	QEKC1HM-475Z	E CAPACITOR	4.7uF 50V M	
					C1425	QEKC1EM-106Z	E CAPACITOR	10uF 25V M	
					C1432	NCB31CK-223X	C CAPACITOR	0.022uF 16V K	
					C1433	QEKC1EM-106Z	E CAPACITOR	10uF 25V M	
					C1436	NCB31CK-223X	C CAPACITOR	0.022uF 16V K	
					C1437	QCZ0202-155Z	C CAPACITOR	1.5uF 25V Z	
					C1447	QEKC1HM-475Z	E CAPACITOR	4.7uF 50V M	
					C1459	QEKC1HM-475Z	E CAPACITOR	4.7uF 50V M	
					C1460	NCB31CK-223X	C CAPACITOR	0.022uF 16V K	
					C1461	NCB31CK-223X	C CAPACITOR	0.022uF 16V K	
					C1465	QENC1HM-106Z	BP E CAPACITOR	10uF 50V M	
					C1480	QETN1VM-477Z	E CAPACITOR	470uF 35V M	

△ Symbol No.	Part No.	Part Name	Description	Local	△ Symbol No.	Part No.	Part Name	Description	Local
R701	NRSA63J-472X	MG RESISTOR	4.7kΩ 1/16W J		R783	NRSA63J-221X	MG RESISTOR	220Ω 1/16W J	
R702	NRSA63J-223X	MG RESISTOR	22kΩ 1/16W J		R784	NRSA63J-221X	MG RESISTOR	220Ω 1/16W J	
R704	NRSA63J-471X	MG RESISTOR	470Ω 1/16W J	5060BJ, 5060BC	R785	NRSA63J-221X	MG RESISTOR	220Ω 1/16W J	
R705	NRSA63J-103X	MG RESISTOR	10kΩ 1/16W J		R786	NRSA63J-221X	MG RESISTOR	220Ω 1/16W J	
R706	NRSA63J-103X	MG RESISTOR	10kΩ 1/16W J		R787	NRSA63J-221X	MG RESISTOR	220Ω 1/16W J	
R707	NRSA63J-0R0X	MG RESISTOR	0Ω 1/16W J		R788	NRSA63J-221X	MG RESISTOR	220Ω 1/16W J	
R709	NRSA63J-103X	MG RESISTOR	10kΩ 1/16W J		R789	NRSA63J-103X	MG RESISTOR	10kΩ 1/16W J	
R710	NRSA63J-103X	MG RESISTOR	10kΩ 1/16W J		R790	NRSA63J-103X	MG RESISTOR	10kΩ 1/16W J	
R711	NRSA63J-104X	MG RESISTOR	100kΩ 1/16W J		R791	NRSA63J-221X	MG RESISTOR	220Ω 1/16W J	
R712	NRSA63J-103X	MG RESISTOR	10kΩ 1/16W J		R792	NRSA63J-221X	MG RESISTOR	220Ω 1/16W J	
R713	NRSA63J-103X	MG RESISTOR	10kΩ 1/16W J						5060BE, 5062SE, 5062SB, 5062SE N,5062S EV
R715	NRSA63J-103X	MG RESISTOR	10kΩ 1/16W J		R793	NRSA63J-103X	MG RESISTOR	10kΩ 1/16W J	
R716	NRSA63J-103X	MG RESISTOR	10kΩ 1/16W J						
R717	NRSA63J-103X	MG RESISTOR	10kΩ 1/16W J		R794	NRSA63J-221X	MG RESISTOR	220Ω 1/16W J	
R718	NRSA63J-103X	MG RESISTOR	10kΩ 1/16W J		R795	NRSA63J-221X	MG RESISTOR	220Ω 1/16W J	
R719	NRSA63J-221X	MG RESISTOR	220Ω 1/16W J		R796	NRSA63J-221X	MG RESISTOR	220Ω 1/16W J	
R721	NRSA63J-103X	MG RESISTOR	10kΩ 1/16W J		R797	NRSA63J-221X	MG RESISTOR	220Ω 1/16W J	
R722	NRSA63J-102X	MG RESISTOR	1kΩ 1/16W J		R798	NRSA63J-221X	MG RESISTOR	220Ω 1/16W J	
R723	NRSA63J-102X	MG RESISTOR	1kΩ 1/16W J		R799	NRSA63J-221X	MG RESISTOR	220Ω 1/16W J	
R724	NRSA63J-122X	MG RESISTOR	1.2kΩ 1/16W J		R874	NRSA63J-103X	MG RESISTOR	10kΩ 1/16W J	
R725	NRSA63J-152X	MG RESISTOR	1.5kΩ 1/16W J		R875	NRSA63J-103X	MG RESISTOR	10kΩ 1/16W J	
R726	NRSA63J-222X	MG RESISTOR	2.2kΩ 1/16W J		R876	NRSA63J-103X	MG RESISTOR	10kΩ 1/16W J	
R727	NRSA63J-272X	MG RESISTOR	2.7kΩ 1/16W J		R877	NRSA63J-103X	MG RESISTOR	10kΩ 1/16W J	
R728	NRSA63J-103X	MG RESISTOR	10kΩ 1/16W J		R878	NRSA63J-103X	MG RESISTOR	10kΩ 1/16W J	
R729	NRSA63J-102X	MG RESISTOR	1kΩ 1/16W J		R879	NRSA63J-221X	MG RESISTOR	220Ω 1/16W J	
R730	NRSA63J-102X	MG RESISTOR	1kΩ 1/16W J		R880	NRSA63J-221X	MG RESISTOR	220Ω 1/16W J	
R731	NRSA63J-122X	MG RESISTOR	1.2kΩ 1/16W J		R881	NRSA63J-221X	MG RESISTOR	220Ω 1/16W J	
R732	NRSA63J-152X	MG RESISTOR	1.5kΩ 1/16W J		R882	NRSA63J-221X	MG RESISTOR	220Ω 1/16W J	
R733	NRSA63J-222X	MG RESISTOR	2.2kΩ 1/16W J		R883	NRSA63J-221X	MG RESISTOR	220Ω 1/16W J	
R734	NRSA63J-272X	MG RESISTOR	2.7kΩ 1/16W J		R884	NRSA63J-221X	MG RESISTOR	220Ω 1/16W J	
R736	NRSA63J-103X	MG RESISTOR	10kΩ 1/16W J		△R1401	QRZ9005-100X	FUSI RESISTOR	10Ω	
R737	NRSA63J-102X	MG RESISTOR	1kΩ 1/16W J		△R1402	QRJ146J-182X	UNF C RESISTOR	1.8kΩ 1/4W J	
R738	NRSA63J-102X	MG RESISTOR	1kΩ 1/16W J		△R1403	QRZ9005-120X	F B RESISTOR	12Ω	
R739	NRSA63J-122X	MG RESISTOR	1.2kΩ 1/16W J		△R1404	QRJ146J-272X	UNF C RESISTOR	2.7kΩ 1/4W J	
R740	NRSA63J-152X	MG RESISTOR	1.5kΩ 1/16W J		△R1405	QRZ9005-120X	F B RESISTOR	12Ω	
R741	NRSA63J-222X	MG RESISTOR	2.2kΩ 1/16W J		△R1406	QRK126J-682X	UNF C RESISTOR	6.8kΩ 1/2W J	
R742	NRSA63J-272X	MG RESISTOR	2.7kΩ 1/16W J		△R1407	QRZ9006-4R7X	FUSI RESISTOR	4.7Ω	
R743	NRSA63J-103X	MG RESISTOR	10kΩ 1/16W J		△R1408	QRZ9006-4R7X	FUSI RESISTOR	4.7Ω	
R744	NRSA63J-102X	MG RESISTOR	1kΩ 1/16W J		△R1409	QRJ146J-272X	UNF C RESISTOR	2.7kΩ 1/4W J	
R745	NRSA63J-102X	MG RESISTOR	1kΩ 1/16W J		△R1410	QRZ9006-4R7X	FUSI RESISTOR	4.7Ω	
R746	NRSA63J-122X	MG RESISTOR	1.2kΩ 1/16W J		△R1411	QRJ146J-182X	UNF C RESISTOR	1.8kΩ 1/4W J	
R747	NRSA63J-152X	MG RESISTOR	1.5kΩ 1/16W J		△R1412	QRZ9005-100X	FUSI RESISTOR	10Ω	
R748	NRSA63J-222X	MG RESISTOR	2.2kΩ 1/16W J		△R1414	QRZ9005-100X	FUSI RESISTOR	10Ω	
R749	NRSA63J-272X	MG RESISTOR	2.7kΩ 1/16W J		△R1415	QRJ146J-222X	UNF C RESISTOR	2.2kΩ 1/4W J	
R750	NRSA63J-103X	MG RESISTOR	10kΩ 1/16W J		△R1416	QRZ9005-100X	FUSI RESISTOR	10Ω	
R751	NRSA63J-102X	MG RESISTOR	1kΩ 1/16W J		△R1417	QRJ146J-222X	UNF C RESISTOR	2.2kΩ 1/4W J	
R752	NRSA63J-102X	MG RESISTOR	1kΩ 1/16W J		△R1418	QRZ9005-680X	F.RES. I.M	68Ω	
R753	NRSA63J-122X	MG RESISTOR	1.2kΩ 1/16W J		△R1419	QRZ9005-680X	F.RES. I.M	68Ω	
R754	NRSA63J-103X	MG RESISTOR	10kΩ 1/16W J		R1423	NRSA63J-102X	MG RESISTOR	1kΩ 1/16W J	
R756	NRSA63J-103X	MG RESISTOR	10kΩ 1/16W J		R1424	NRSA63J-102X	MG RESISTOR	1kΩ 1/16W J	
R757	NRSA63J-103X	MG RESISTOR	10kΩ 1/16W J		R1425	NRSA63J-102X	MG RESISTOR	1kΩ 1/16W J	
R758	NRSA63J-103X	MG RESISTOR	10kΩ 1/16W J		R1426	NRSA63J-102X	MG RESISTOR	1kΩ 1/16W J	
R759	NRSA63J-103X	MG RESISTOR	10kΩ 1/16W J						5060BE, 5062SE, 5062SB, 5062SE N,5062S EV
R760	NRSA63J-103X	MG RESISTOR	10kΩ 1/16W J						5060BE, 5062SE, 5062SB, 5062SE N,5062S EV
R761	NRSA63J-103X	MG RESISTOR	10kΩ 1/16W J		R1430	NRSA63J-102X	MG RESISTOR	1kΩ 1/16W J	
R762	NRSA63J-102X	MG RESISTOR	1kΩ 1/16W J						
				5060BE, 5062SE, 5062SB, 5062SE N,5062S EV					
R763	NRSA63J-102X	MG RESISTOR	1kΩ 1/16W J		R1432	NRSA63J-102X	MG RESISTOR	1kΩ 1/16W J	
R768	NRSA63J-103X	MG RESISTOR	10kΩ 1/16W J		R1435	NRSA63J-104X	MG RESISTOR	100kΩ 1/16W J	
R769	NRSA63J-102X	MG RESISTOR	1kΩ 1/16W J		R1436	NRSA63J-104X	MG RESISTOR	100kΩ 1/16W J	
R770	NRSA63J-102X	MG RESISTOR	1kΩ 1/16W J	5060BC	R1437	NRSA63J-102X	MG RESISTOR	1kΩ 1/16W J	
R773	NRSA63J-103X	MG RESISTOR	10kΩ 1/16W J		R1438	NRSA63J-102X	MG RESISTOR	1kΩ 1/16W J	
R774	NRSA63J-103X	MG RESISTOR	10kΩ 1/16W J		R1439	NRSA63J-103X	MG RESISTOR	10kΩ 1/16W J	
R775	NRSA63J-103X	MG RESISTOR	10kΩ 1/16W J		R1440	NRSA63J-103X	MG RESISTOR	10kΩ 1/16W J	
R778	NRSA63J-392X	MG RESISTOR	3.9kΩ 1/16W J		R1444	NRSA63J-103X	MG RESISTOR	10kΩ 1/16W J	
R779	NRSA63J-103X	MG RESISTOR	10kΩ 1/16W J		R1445	NRSA63J-102X	MG RESISTOR	1kΩ 1/16W J	
R780	NRSA63J-103X	MG RESISTOR	10kΩ 1/16W J		R1446	NRSA63J-104X	MG RESISTOR	100kΩ 1/16W J	
				5060BE, 5062SE, 5062SB, 5062SE N,5062S EV	R1447	NRSA63J-102X	MG RESISTOR	1kΩ 1/16W J	
R781	NRSA63J-221X	MG RESISTOR	220Ω 1/16W J		R1448	NRSA63J-103X	MG RESISTOR	10kΩ 1/16W J	
				5060BE, 5062SE, 5062SB, 5062SE N,5062S EV	R1449	NRSA63J-102X	MG RESISTOR	1kΩ 1/16W J	
R782	NRSA63J-221X	MG RESISTOR	220Ω 1/16W J		R1450	NRSA63J-103X	MG RESISTOR	10kΩ 1/16W J	
				5060BE, 5062SE, 5062SB, 5062SE N,5062S EV	R1451	NRSA63J-104X	MG RESISTOR	100kΩ 1/16W J	
					R1452	NRSA63J-104X	MG RESISTOR	100kΩ 1/16W J	
					R1453	NRSA63J-102X	MG RESISTOR	1kΩ 1/16W J	
					△R1461	QRJ146J-2R2X	UNF C RESISTOR	2.2Ω 1/4W J	

△ Symbol No.	Part No.	Part Name	Description	Local
△ R1462	QRJ146J-2R2X	UNF C RESISTOR	2.2Ω 1/4W J	
R1464	NRSA63J-104X	MG RESISTOR	100kΩ 1/16W J	
R1470	NRSA63J-201X	MG RESISTOR	200Ω 1/16W J	
R1471	NRSA63J-201X	MG RESISTOR	200Ω 1/16W J	
R1472	NRSA63J-103X	MG RESISTOR	10kΩ 1/16W J	
R1473	NRSA63J-103X	MG RESISTOR	10kΩ 1/16W J	
R1474	NRSA63J-102X	MG RESISTOR	1kΩ 1/16W J	
R1475	NRSA63J-163X	MG RESISTOR	16kΩ 1/16W J	
R1476	NRSA63J-103X	MG RESISTOR	10kΩ 1/16W J	
△ R1477	QRZ9006-4R7X	FUSI RESISTOR	4.7Ω	
R1480	NRSA63J-104X	MG RESISTOR	100kΩ 1/16W J	
R1481	NRSA63J-104X	MG RESISTOR	100kΩ 1/16W J	
R1482	NRSA63J-104X	MG RESISTOR	100kΩ 1/16W J	
R1483	NRSA63J-562X	MG RESISTOR	5.6kΩ 1/16W J	
R1484	NRSA63J-473X	MG RESISTOR	47kΩ 1/16W J	
R1485	NRSA63J-202X	MG RESISTOR	2kΩ 1/16W J	
R1486	NRSA63J-473X	MG RESISTOR	47kΩ 1/16W J	
R1487	NRSA63J-103X	MG RESISTOR	10kΩ 1/16W J	
R1488	NRSA63J-103X	MG RESISTOR	10kΩ 1/16W J	
R1489	NRSA63J-202X	MG RESISTOR	2kΩ 1/16W J	
R1490	NRSA63J-133X	MG RESISTOR	13kΩ 1/16W J	
R1491	NRSA63J-473X	MG RESISTOR	47kΩ 1/16W J	
R1492	NRSA63J-102X	MG RESISTOR	1kΩ 1/16W J	
R1494	NRSA63J-102X	MG RESISTOR	1kΩ 1/16W J	
R1496	NRSA63J-332X	MG RESISTOR	3.3kΩ 1/16W J	
R1498	NRSA63J-511X	MG RESISTOR	510Ω 1/16W J	
R1499	NRSA63J-511X	MG RESISTOR	510Ω 1/16W J	
R1500	NRSA63J-474X	MG RESISTOR	470kΩ 1/16W J	
R1571	NRSA63J-0R0X	MG RESISTOR	0Ω 1/16W J	
R1572	NRSA63J-0R0X	MG RESISTOR	0Ω 1/16W J	
R1575	NRSA63J-0R0X	MG RESISTOR	0Ω 1/16W J	
R1576	NRSA63J-0R0X	MG RESISTOR	0Ω 1/16W J	
R1579	NRSA63J-0R0X	MG RESISTOR	0Ω 1/16W J	
R1580	NRSA63J-0R0X	MG RESISTOR	0Ω 1/16W J	
R1583	NRSA63J-511X	MG RESISTOR	510Ω 1/16W J	
R1584	NRSA63J-511X	MG RESISTOR	510Ω 1/16W J	
BK701	LV42093-001A	FL HOLDER(L)		
BK702	LV42092-001A	FL HOLDER(R)		
CN421	QGB2510J1-15	CONNECTOR	B-B (1-15)	
CN431	QGB2510J1-06	CONNECTOR	B-B (1-6)	
CN441	QGB2510J1-06	CONNECTOR	B-B (1-6)	
CN471	QGA2501C3-03Z	CONNECTOR	W-B (1-3)	
CN472	QGA2501C1-02	CONNECTOR	W-B (1-2)	
CN473	QGA2501C3-03Z	CONNECTOR	W-B (1-3)	
CN481	QGB2510J1-14	CONNECTOR	B-B (1-14)	
CN482	QGB2510J1-07	CONNECTOR	B-B (1-7)	
CN491	QGB2510J1-04	CONNECTOR	B-B (1-4)	
CN704	WJS0020-002A-E	SKT.WIRE ASSY		
CN714	QGA2001F1-03	CONNECTOR	W-B (1-3)	
DI701	QLF0132-001	FL TUBE		
EP401	QNZ0136-001Z	IM EARTH PLATE		
EP402	QNZ0136-001Z	IM EARTH PLATE		
HS401	E70306-001	HEAT SINK		
HS402	E70306-001	HEAT SINK		
HS403	E70306-001	HEAT SINK		
HS404	E70306-001	HEAT SINK		
HS434	E70306-001	HEAT SINK		
HS435	E70306-001	HEAT SINK		
JS701	QSW1017-002	JOG VOLUME		
JS702	QSW1051-001	ROTARY ENCODER		
S721	QSW0683-001Z	PUSH SW I.M		
S722	QSW0683-001Z	PUSH SW I.M		
S723	QSW0683-001Z	PUSH SW I.M		
S724	QSW0683-001Z	PUSH SW I.M		
S725	QSW0683-001Z	PUSH SW I.M		
S726	QSW0683-001Z	PUSH SW I.M		
S727	QSW0683-001Z	PUSH SW I.M		
S728	QSW0683-001Z	PUSH SW I.M		
S729	QSW0683-001Z	PUSH SW I.M		
S730	QSW0683-001Z	PUSH SW I.M		
S731	QSW0683-001Z	PUSH SW I.M		
S732	QSW0683-001Z	PUSH SW I.M		
S734	QSW0683-001Z	PUSH SW I.M		
S735	QSW0683-001Z	PUSH SW I.M		
S736	QSW0683-001Z	PUSH SW I.M		
S738	QSW0683-001Z	PUSH SW I.M		
S739	QSW0683-001Z	PUSH SW I.M		

△ Symbol No.	Part No.	Part Name	Description	Local
S740	QSW0683-001Z	PUSH SW I.M		
S741	QSW0683-001Z	PUSH SW I.M		
S742	QSW0683-001Z	PUSH SW I.M		
S743	QSW0683-001Z	PUSH SW I.M		
S745	QSW0683-001Z	PUSH SW I.M		
S746	QSW0683-001Z	PUSH SW I.M		
S750	QSW0683-001Z	PUSH SW I.M		
S751	QSW0683-001Z	PUSH SW I.M		
S752	QSW0683-001Z	PUSH SW I.M		
S757	QSW0683-001Z	PUSH SW I.M		
X701	QAX0246-001Z	RESONATOR		

## DSP board

Block No. [0][4]

△ Symbol No.	Part No.	Part Name	Description	Local
IC601	NJM4565M-WE	IC		
IC602	NJM4565M-WE	IC		
IC611	NJM4565M-WE	IC		
IC612	NJM4565M-WE	IC		
IC613	NJM4565M-WE	IC		
IC615	NJM4565M-WE	IC		
IC622	NJM4565M-WE	IC		
IC631	NJM2120M-X	IC		
IC632	NJM4565M-WE	IC		
IC633	NJM4565M-WE	IC		
IC634	NJM4565M-WE	IC		
IC661	DSPC56371AF180	IC		
IC662	SN74LVC1GU04K-X	IC		
IC667	CS42518-CQZ-C-W	IC		
IC671	UPD784215AGC284	IC		
IC672	SN74AHCT1G32K-X	IC		
IC673	SN74LVC1G04K-X	IC		
IC691	BA3259HFP-W	IC		
Q2101	2SD2114K/VW/-X	TRANSISTOR		
Q2102	2SD2114K/VW/-X	TRANSISTOR		
Q2141	2SC3928A/RS/-X	TRANSISTOR		
Q2142	2SC3928A/RS/-X	TRANSISTOR		
Q2201	2SD2114K/VW/-X	TRANSISTOR		
Q2202	2SD2114K/VW/-X	TRANSISTOR		
Q2221	2SD2114K/VW/-X	TRANSISTOR		
Q2222	2SD2114K/VW/-X	TRANSISTOR		
Q2301	2SD2114K/VW/-X	TRANSISTOR		
Q2341	2SC3928A/RS/-X	TRANSISTOR		
Q2401	2SD2114K/VW/-X	TRANSISTOR		
Q2421	2SD2114K/VW/-X	TRANSISTOR		
Q2701	KRC107S-X	DIGI TRANSISTOR		
Q2702	KRC107S-X	DIGI TRANSISTOR		
Q2703	KRC107S-X	DIGI TRANSISTOR		
Q2704	KRA107S-X	TRANSISTOR		
Q2705	KRA107S-X	TRANSISTOR		
Q2706	KRA107S-X	TRANSISTOR		
Q2708	KRA107S-X	TRANSISTOR		
Q2709	KRA107S-X	TRANSISTOR		
Q2710	KRC107S-X	DIGI TRANSISTOR		
C2001	QEK1HM-475Z	E CAPACITOR	4.7uF 50V M	
C2002	QEK1HM-475Z	E CAPACITOR	4.7uF 50V M	
C2005	NDC31HJ-330X	C CAPACITOR	33pF 50V J	
C2006	NDC31HJ-330X	C CAPACITOR	33pF 50V J	
C2009	NCF31CZ-104X	C CAPACITOR	0.1uF 16V Z	
C2010	NCF31CZ-104X	C CAPACITOR	0.1uF 16V Z	
C2013	NDC31HJ-330X	C CAPACITOR	33pF 50V J	
C2014	NDC31HJ-330X	C CAPACITOR	33pF 50V J	
C2018	QETN1EM-476Z	E CAPACITOR	47uF 25V M	
C2019	NCF31CZ-104X	C CAPACITOR	0.1uF 16V Z	
C2020	NCF31CZ-104X	C CAPACITOR	0.1uF 16V Z	
C2101	NCB31HK-102X	C CAPACITOR	1000pF 50V K	
C2102	NCB31HK-102X	C CAPACITOR	1000pF 50V K	
C2109	QETN1HM-226Z	E CAPACITOR	22uF 50V M	
C2110	QETN1HM-226Z	E CAPACITOR	22uF 50V M	
C2111	NCF31CZ-104X	C CAPACITOR	0.1uF 16V Z	

△ Symbol No.	Part No.	Part Name	Description	Local	△ Symbol No.	Part No.	Part Name	Description	Local
C2112	NCF31CZ-104X	C CAPACITOR	0.1uF 16V Z		C2641	NDC31HJ-100X	C CAPACITOR	10pF 50V J	
C2113	NCB31HK-331X	C CAPACITOR	330pF 50V K		C2642	NDC31HJ-100X	C CAPACITOR	10pF 50V J	
C2114	NCB31HK-331X	C CAPACITOR	330pF 50V K		C2643	NCF31CZ-104X	C CAPACITOR	0.1uF 16V Z	
C2115	NCB31HK-272X	C CAPACITOR	2700pF 50V K		C2671	QEKC1EM-106Z	E CAPACITOR	10uF 25V M	
C2116	NCB31HK-272X	C CAPACITOR	2700pF 50V K		C2672	QEKC1EM-106Z	E CAPACITOR	10uF 25V M	
C2129	QEKC1HM-475Z	E CAPACITOR	4.7uF 50V M		C2673	QEKC1EM-106Z	E CAPACITOR	10uF 25V M	
C2131	NCF31CZ-104X	C CAPACITOR	0.1uF 16V Z		C2674	NCF31CZ-104X	C CAPACITOR	0.1uF 16V Z	
C2132	NCF31CZ-104X	C CAPACITOR	0.1uF 16V Z		C2675	NCF31CZ-104X	C CAPACITOR	0.1uF 16V Z	
C2133	NDC31HJ-330X	C CAPACITOR	33pF 50V J		C2676	NCB31HK-221X	C CAPACITOR	220pF 50V K	
C2134	NDC31HJ-330X	C CAPACITOR	33pF 50V J		C2677	NCB31HK-221X	C CAPACITOR	220pF 50V K	
C2139	QEKC1HM-475Z	E CAPACITOR	4.7uF 50V M		C2678	QEKC1HM-475Z	E CAPACITOR	4.7uF 50V M	
C2140	QEKC1HM-475Z	E CAPACITOR	4.7uF 50V M		C2679	NCF31CZ-104X	C CAPACITOR	0.1uF 16V Z	
C2141	NCF31CZ-104X	C CAPACITOR	0.1uF 16V Z		C2680	QETN1CM-107Z	E CAPACITOR	100uF 16V M	
C2142	NCF31CZ-104X	C CAPACITOR	0.1uF 16V Z		C2681	NCF31CZ-104X	C CAPACITOR	0.1uF 16V Z	
C2143	NDC31HJ-330X	C CAPACITOR	33pF 50V J		C2682	NCF31CZ-104X	C CAPACITOR	0.1uF 16V Z	
C2144	NDC31HJ-330X	C CAPACITOR	33pF 50V J		C2683	NCB31CK-223X	C CAPACITOR	0.022uF 16V K	
C2181	NCF31CZ-104X	C CAPACITOR	0.1uF 16V Z		C2684	NCB31HK-102X	C CAPACITOR	1000pF 50V K	
C2182	NCF31CZ-104X	C CAPACITOR	0.1uF 16V Z		C2685	NCF31CZ-104X	C CAPACITOR	0.1uF 16V Z	
C2183	NCB31HK-102X	C CAPACITOR	1000pF 50V K		C2686	NCF31CZ-104X	C CAPACITOR	0.1uF 16V Z	
C2184	NCB31HK-102X	C CAPACITOR	1000pF 50V K		C2687	NCF31CZ-104X	C CAPACITOR	0.1uF 16V Z	
C2185	NCB31HK-102X	C CAPACITOR	1000pF 50V K		C2688	NCB31HK-103X	C CAPACITOR	0.01uF 50V K	
C2186	NCB31HK-102X	C CAPACITOR	1000pF 50V K		C2689	NCB31HK-103X	C CAPACITOR	0.01uF 50V K	
C2187	NCB31HK-562X	C CAPACITOR	5600pF 50V K		C2690	NCB31HK-103X	C CAPACITOR	0.01uF 50V K	
C2188	NCB31HK-562X	C CAPACITOR	5600pF 50V K		C2691	NCB31HK-103X	C CAPACITOR	0.01uF 50V K	
C2201	NCB31HK-561X	C CAPACITOR	560pF 50V K		C2692	NCB31HK-103X	C CAPACITOR	0.01uF 50V K	
C2202	NCB31HK-561X	C CAPACITOR	560pF 50V K		C2693	NCF31CZ-104X	C CAPACITOR	0.1uF 16V Z	
C2209	QEKC1HM-225Z	E CAPACITOR	2.2uF 50V M		C2701	QETN1CM-107Z	E CAPACITOR	100uF 16V M	
C2210	QEKC1HM-225Z	E CAPACITOR	2.2uF 50V M		C2702	NCB31HK-103X	C CAPACITOR	0.01uF 50V K	
C2229	QEKC1HM-105Z	E CAPACITOR	1uF 50V M		C2703	NDC31HJ-101X	C CAPACITOR	100pF 50V J	
C2230	QEKC1HM-105Z	E CAPACITOR	1uF 50V M		C2721	NDC31HJ-101X	C CAPACITOR	100pF 50V J	
C2281	NCF31CZ-104X	C CAPACITOR	0.1uF 16V Z		C2731	NCF31CZ-104X	C CAPACITOR	0.1uF 16V Z	
C2282	NCF31CZ-104X	C CAPACITOR	0.1uF 16V Z		C2751	NCF31CZ-104X	C CAPACITOR	0.1uF 16V Z	
C2283	NCB31HK-331X	C CAPACITOR	330pF 50V K		C2771	QETN1EM-476Z	E CAPACITOR	47uF 25V M	
C2284	NCB31HK-331X	C CAPACITOR	330pF 50V K		C2861	NDC31HJ-101X	C CAPACITOR	100pF 50V J	
C2285	NCB31HK-331X	C CAPACITOR	330pF 50V K		C2862	NCF31CZ-104X	C CAPACITOR	0.1uF 16V Z	
C2286	NCB31HK-331X	C CAPACITOR	330pF 50V K		C2871	NDC31HJ-270X	C CAPACITOR	27pF 50V J	
C2287	NCB31HK-392X	C CAPACITOR	3900pF 50V K		C2873	NCB31HK-103X	C CAPACITOR	0.01uF 50V K	
C2288	NCB31HK-392X	C CAPACITOR	3900pF 50V K		C2881	NCB31HK-103X	C CAPACITOR	0.01uF 50V K	
C2301	NCB31HK-561X	C CAPACITOR	560pF 50V K		C2882	NCB31HK-103X	C CAPACITOR	0.01uF 50V K	
C2309	QETN1HM-226Z	E CAPACITOR	22uF 50V M		C2883	QEKC1EM-106Z	E CAPACITOR	10uF 25V M	
C2323	NCB31HK-562X	C CAPACITOR	5600pF 50V K		C2902	QEKC1EM-106Z	E CAPACITOR	10uF 25V M	
C2325	NCB31HK-182X	C CAPACITOR	1800pF 50V K		C2903	QETN1EM-476Z	E CAPACITOR	47uF 25V M	
C2341	NCF31CZ-104X	C CAPACITOR	0.1uF 16V Z		C2911	QETN1AM-227Z	E CAPACITOR	220uF 10V M	
C2342	NCF31CZ-104X	C CAPACITOR	0.1uF 16V Z		C2912	NCF31CZ-104X	C CAPACITOR	0.1uF 16V Z	
C2343	NDC31HJ-330X	C CAPACITOR	33pF 50V J		C2921	QETN1CM-107Z	E CAPACITOR	100uF 16V M	
C2381	NCF31CZ-104X	C CAPACITOR	0.1uF 16V Z		C2922	NCF31CZ-104X	C CAPACITOR	0.1uF 16V Z	
C2382	NCF31CZ-104X	C CAPACITOR	0.1uF 16V Z		C2923	QETN1CM-107Z	E CAPACITOR	100uF 16V M	
C2383	NCB31HK-471X	C CAPACITOR	470pF 50V K		C2924	NCF31CZ-104X	C CAPACITOR	0.1uF 16V Z	
C2385	NCB31HK-471X	C CAPACITOR	470pF 50V K		C2925	NCF31CZ-104X	C CAPACITOR	0.1uF 16V Z	
C2387	NCB31HK-332X	C CAPACITOR	3300pF 50V K		C2926	NCF31CZ-104X	C CAPACITOR	0.1uF 16V Z	
C2401	NCB31HK-561X	C CAPACITOR	560pF 50V K		C2951	NCF31AZ-105X	C CAPACITOR	1uF 10V Z	
C2409	QETN1HM-226Z	E CAPACITOR	22uF 50V M		C2952	NCF31AZ-105X	C CAPACITOR	1uF 10V Z	
C2411	NCF31CZ-104X	C CAPACITOR	0.1uF 16V Z		C2953	NCF31AZ-105X	C CAPACITOR	1uF 10V Z	
C2412	NCF31CZ-104X	C CAPACITOR	0.1uF 16V Z		C2954	NCF31AZ-105X	C CAPACITOR	1uF 10V Z	
C2421	NCF31CZ-104X	C CAPACITOR	0.1uF 16V Z		C2955	NCF31AZ-105X	C CAPACITOR	1uF 10V Z	
C2422	NCF31CZ-104X	C CAPACITOR	0.1uF 16V Z		C2956	NCF31CZ-104X	C CAPACITOR	0.1uF 16V Z	
C2423	NCB31CK-823X	C CAPACITOR	0.082uF 16V K		C2957	NCF31CZ-104X	C CAPACITOR	0.1uF 16V Z	
C2425	QFN31HJ-333Z	M CAPACITOR	0.033uF 50V J		R2001	NRSA63J-104X	MG RESISTOR	100kΩ 1/16W J	
C2429	QEKC1HM-475Z	E CAPACITOR	4.7uF 50V M		R2002	NRSA63J-104X	MG RESISTOR	100kΩ 1/16W J	
C2433	NCB31CK-823X	C CAPACITOR	0.082uF 16V K		R2003	NRSA63J-223X	MG RESISTOR	22kΩ 1/16W J	
C2435	QFN31HJ-333Z	M CAPACITOR	0.033uF 50V J		R2004	NRSA63J-223X	MG RESISTOR	22kΩ 1/16W J	
C2483	NCB31HK-471X	C CAPACITOR	470pF 50V K		R2007	NRSA63J-223X	MG RESISTOR	22kΩ 1/16W J	
C2485	NCB31HK-471X	C CAPACITOR	470pF 50V K		R2008	NRSA63J-223X	MG RESISTOR	22kΩ 1/16W J	
C2487	NCB31HK-332X	C CAPACITOR	3300pF 50V K		R2011	NRSA63J-223X	MG RESISTOR	22kΩ 1/16W J	
C2601	QETN1CM-107Z	E CAPACITOR	100uF 16V M		R2012	NRSA63J-223X	MG RESISTOR	22kΩ 1/16W J	
C2606	NCF31CZ-104X	C CAPACITOR	0.1uF 16V Z		R2013	NRSA63J-223X	MG RESISTOR	22kΩ 1/16W J	
C2607	NCF31CZ-104X	C CAPACITOR	0.1uF 16V Z		R2014	NRSA63J-223X	MG RESISTOR	22kΩ 1/16W J	
C2608	NCF31CZ-104X	C CAPACITOR	0.1uF 16V Z		R2017	NRSA63J-472X	MG RESISTOR	4.7kΩ 1/16W J	
C2611	NCF31CZ-104X	C CAPACITOR	0.1uF 16V Z		R2018	NRSA63J-472X	MG RESISTOR	4.7kΩ 1/16W J	
C2612	NCF31CZ-104X	C CAPACITOR	0.1uF 16V Z		R2021	NRSA63J-331X	MG RESISTOR	330Ω 1/16W J	
C2613	NCF31CZ-104X	C CAPACITOR	0.1uF 16V Z		R2022	NRSA63J-331X	MG RESISTOR	330Ω 1/16W J	
C2614	NCB31HK-102X	C CAPACITOR	1000pF 50V K		R2023	NRSA63J-331X	MG RESISTOR	330Ω 1/16W J	
C2621	NCF31CZ-104X	C CAPACITOR	0.1uF 16V Z		R2024	NRSA63J-331X	MG RESISTOR	330Ω 1/16W J	
C2622	NCF31CZ-104X	C CAPACITOR	0.1uF 16V Z		R2101	NRSA63J-103X	MG RESISTOR	10kΩ 1/16W J	
C2623	NCF31CZ-104X	C CAPACITOR	0.1uF 16V Z		R2102	NRSA63J-103X	MG RESISTOR	10kΩ 1/16W J	
C2631	NCF31CZ-104X	C CAPACITOR	0.1uF 16V Z		R2103	NRSA63J-102X	MG RESISTOR	1kΩ 1/16W J	
C2632	NCF31CZ-104X	C CAPACITOR	0.1uF 16V Z		R2104	NRSA63J-102X	MG RESISTOR	1kΩ 1/16W J	
C2633	NCF31CZ-104X	C CAPACITOR	0.1uF 16V Z						



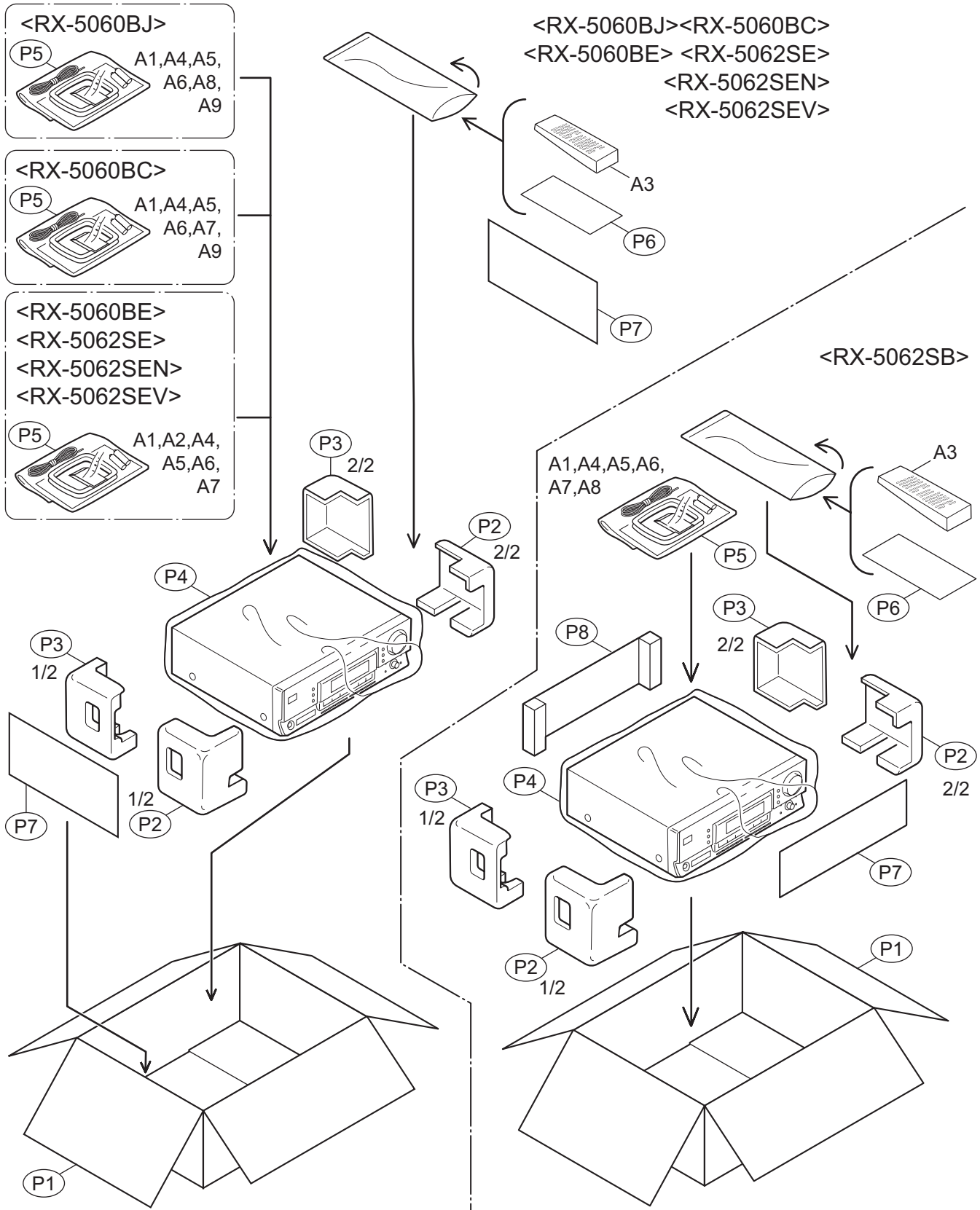


△ Symbol No.	Part No.	Part Name	Description	Local
R2726	NRSA63J-822X	MG RESISTOR	8.2kΩ 1/16W J	
R2727	NRSA63J-432X	MG RESISTOR	4.3kΩ 1/16W J	
R2728	NRSA63J-221X	MG RESISTOR	220Ω 1/16W J	
R2731	NRSA63J-221X	MG RESISTOR	220Ω 1/16W J	
R2732	NRSA63J-221X	MG RESISTOR	220Ω 1/16W J	
R2733	NRSA63J-221X	MG RESISTOR	220Ω 1/16W J	
R2734	NRSA63J-221X	MG RESISTOR	220Ω 1/16W J	
R2735	NRSA63J-221X	MG RESISTOR	220Ω 1/16W J	
R2736	NRSA63J-221X	MG RESISTOR	220Ω 1/16W J	
R2738	NRSA63J-221X	MG RESISTOR	220Ω 1/16W J	
R2739	NRSA63J-221X	MG RESISTOR	220Ω 1/16W J	
R2743	NRSA63J-221X	MG RESISTOR	220Ω 1/16W J	
R2744	NRSA63J-221X	MG RESISTOR	220Ω 1/16W J	
R2745	NRSA63J-221X	MG RESISTOR	220Ω 1/16W J	
R2751	NRSA63J-102X	MG RESISTOR	1kΩ 1/16W J	
R2752	NRSA63J-103X	MG RESISTOR	10kΩ 1/16W J	
R2761	NRSA63J-105X	MG RESISTOR	1MΩ 1/16W J	
R2762	NRSA63J-105X	MG RESISTOR	1MΩ 1/16W J	
R2763	NRSA63J-105X	MG RESISTOR	1MΩ 1/16W J	
R2771	NRSA63J-102X	MG RESISTOR	1kΩ 1/16W J	
R2772	NRSA63J-105X	MG RESISTOR	1MΩ 1/16W J	
R2773	NRSA63J-105X	MG RESISTOR	1MΩ 1/16W J	
R2861	NRSA63J-221X	MG RESISTOR	220Ω 1/16W J	
R2862	NRSA63J-392X	MG RESISTOR	3.9kΩ 1/16W J	
R2871	NRSA63J-750X	MG RESISTOR	75Ω 1/16W J	
R2872	NRSA63J-102X	MG RESISTOR	1kΩ 1/16W J	
R2921	NRSA63J-182X	MG RESISTOR	1.8kΩ 1/16W J	
R2922	NRSA63J-112X	MG RESISTOR	1.1kΩ 1/16W J	
CN681	QGB2510K1-07	CONNECTOR	B-B (1-7)	
CN683	QGB2510K1-14	CONNECTOR	B-B (1-14)	
EP681	E409182-001SM	GRAND TERMINAL		
J681	QNN0481-001	PIN JACK		
K2861	NQR0269-004X	FERRITE BEADS		
UN682	GP1FAV50RK0F	OPT RECEIVER		
X661	QAX0722-001Z	CRYSTAL		
X671	QAX0719-001Z	1COSCIALLATOR		

# Packing materials and accessories parts list

Block No. M 3 M M

No additional / supplemental order of WARRANTY CARDS are available



# Packing and Accessories

Block No. [M][3][M][M]

△ Symbol No.	Part No.	Part Name	Description	Local
A 1	LVT1507-001A	INST BOOK	ENG	5060BJ
A 1	LVT1507-002A	INST BOOK	ENG FRE	5060BC
A 1	LVT1507-004A	INST BOOK	GER FRE	5060BE,5062SE
A 1	LVT1507-003A	INST BOOK	ENG	5062SB
A 1	LVT1507-006A	INST BOOK	SPA POL	5062SEN
A 1	LVT1507-008A	INST BOOK	CZE POL HUN RUS	5062SEV
A 2	LVT1507-005A	INST BOOK	ITA DUT	5060BE,5062SE
A 2	LVT1507-007A	INST BOOK	DAN FIN SWE	5062SEN
A 2	LVT1507-009A	INST BOOK	CZE POL HUN RUS	5062SEV
A 3	RM-SRX5060J	REMOCON		5060BJ,5060BC
A 3	RM-SRX5060R	REMOCON		5060BE
A 3	RM-SRX5062R	REMOCON		5062SE,5062SB,5062SEN,5062SEV
A 4	R6UW/2STS	BATTERY	(x2)	
A 5	QAL0595-001	ANTENNA		
A 6	QAL0014-003	AM LOOP ANT		
A 7	-----	WARRANTY CARD	BT-52006-2	5060BC
A 7	-----	WARRANTY CARD	BT-54027-1	5060BE,5062SE,5062SB,5062SEN, 5062SEV
A 8	BT-51034-2	REGIST CARD		5060BJ
A 8	VNA3000-204	REGIST CARD		5062SB
A 9	YU20333	SAFETY INST.		5060BJ,5060BC
P 1	LV21650-024A	CARTON BOX		5060BJ,5060BC
P 1	LV21650-025A	CARTON BOX		5060BE
P 1	LV21650-027A	CARTON BOX		5062SE,5062SEN,5062SEV
P 1	LV21650-028A	CARTON BOX		5062SB
P 2	LV21634-003A	CUSHION		
P 3	LV21635-002A	CUSHION		
P 4	QPC06507015P	POLY BAG	65cm x 70cm	
P 5	QPA02503505P	POLY BAG	25cm x 35cm	
P 6	LV30256-014A	SHEET		
P 7	LV32034-009A	SHEET	(x2)	5060BJ,5060BC,5060BE,5062SE, 5062SEN,5062SEV
P 7	LV32034-008A	SHEET		5062SB
P 8	LV34107-005A	PACKING SHEET		5062SB